

Luminaire basic performance:

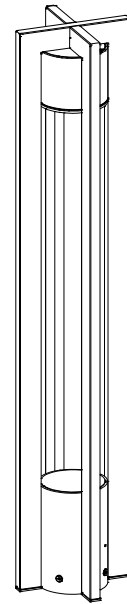
IP: **IP65**

Class of insulation: **Class I**

Input: **AC 220-240V**

Installation Statement:

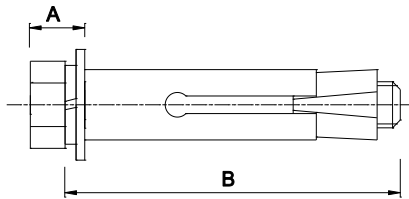
1. Read all instructions before installing.
2. System is intended for installation by a qualified electrician.
3. To reduce the risk of fire, electrical shock and injuries to persons, turn off power at main switch before installing or modifying the system.
4. In accordance with the National Electric Code and local regulations.
5. Suitable for both indoor and outdoor environment use.
6. Retain instructions for future maintenance reference.



Luminaire installation:

Caution: All installation and replacement or maintenance operations must be cut off the power!

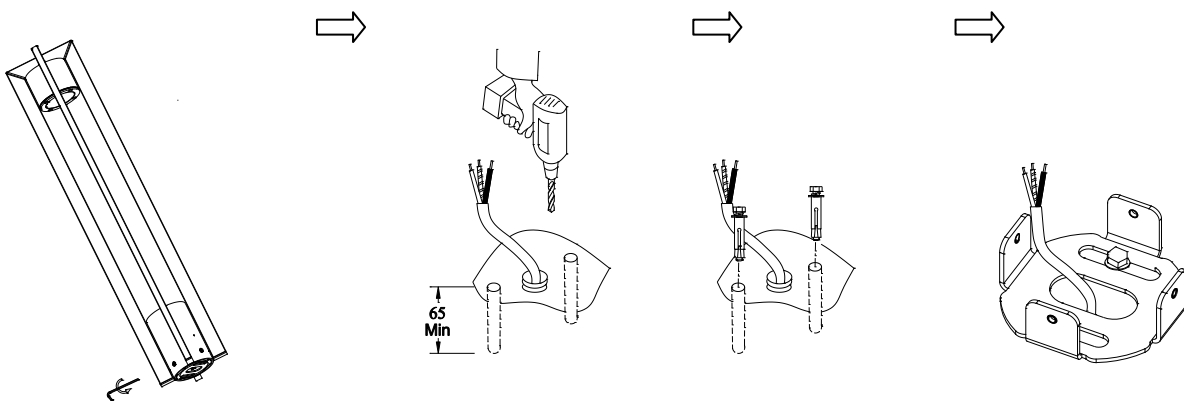
1. Installation shall be equipped with M5 or M6 expansion bolts as shown in PIC 1 (This bolt shall be purchased by the customer himself).



PIC 1

Selection of M5 or M6 expansion bolts,
 Requirement: **A**(Bolt head thickness + cushion thickness + cushion thickness) ≤ 6.5mm,
B(Bolt length) ≥ 60mm

2. Open the package, take out the luminaires, loosen the side fastening screw of the base with the inner hexagonal wrench (3.0mm), take out the installation chassis, drill the hole needed for the expansion bolt according to the figure 2. The hole depth should be greater than the length of the expansion bolt. Install the expansion bolt into the corresponding installation hole, and lock the installation chassis tightly.



PIC 2

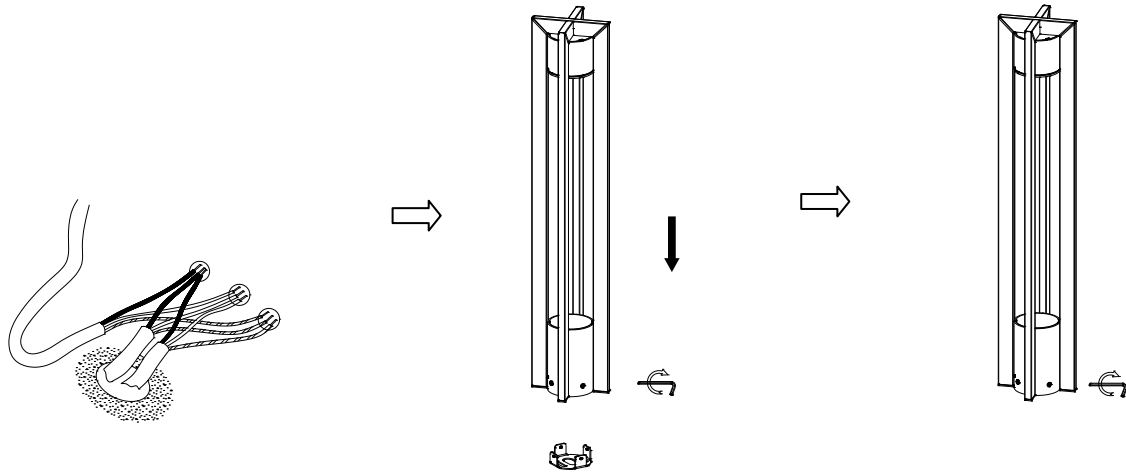
Remove the mounting chassis.

Drill 2 M5 or M6 expansion bolt fixing holes with spacing of 48.4mm.

Expansion bolt M5 or M6 in fixed hole

Locking installation chassis

- 3、 After fixing the installation chassis, connect the luminaire wiring with the city electricity. The wiring should be waterproof. Install the luminaire body base on the installation chassis, as shown in PIC 3.



PIC 3

After wiring, all wiring are connected and waterproofed.

Installation luminaire body base and installation chassis in alignment

The side fixing screw of luminaire base is locked and installed.

Replacement and Repair:

1. Turn off the power supply, operate before the luminaire is fully cooled.
2. The disassembly process is contrary to the installation sequence.
3. If the luminaire fails, please contact the after-sales department of the manufacturer at the first time to assist in dealing with it.
4. The replacement or maintenance process shall be operated by qualified personnel;
5. Do not disassemble the interior of luminaire without authorization.

Attention:

1. If the glass is damaged during installation, it must be replaced. Please contact the after-sales department of the manufacturer for assistance.
2. All wiring shall conform to the national installation standards, and all wiring shall be connected and waterproofed.
3. External wire of luminaire can not be replaced. If the wire is destroyed, the luminaire will be destroyed. The replacement of the wire should conform to CCC standards. And require qualified personnel to be replaced and connected in order to avoid danger.
4. If the exterior wire of the luminaire is damaged, the cable shall be replaced and connected by the manufacturer or a person with similar qualifications.
5. Do not disassemble the interior of the luminaire without authorization.
6. The light source of this luminaire is irreplaceable; when the light source reaches the end of its life, the whole luminaire should be replaced.