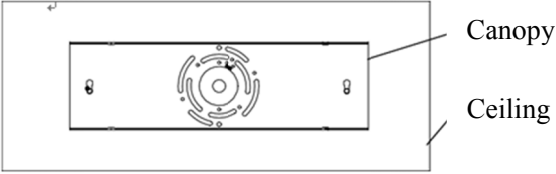
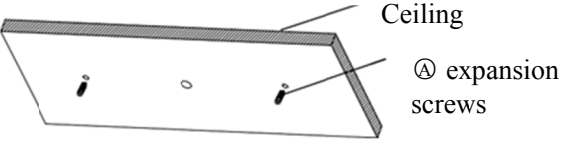
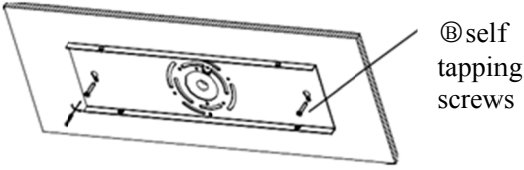
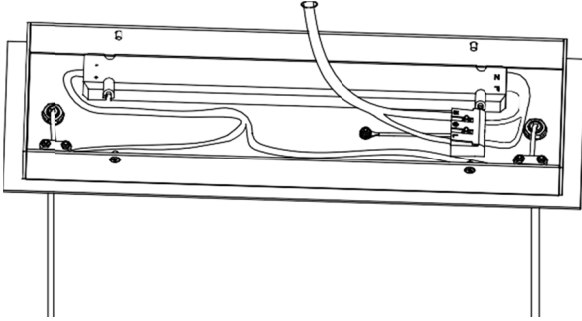
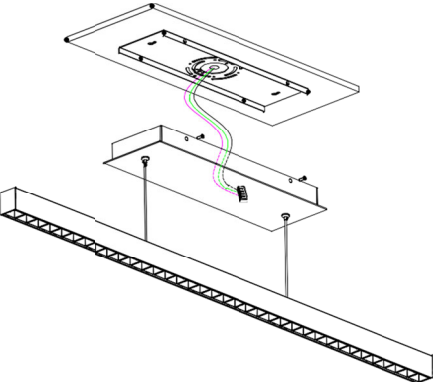
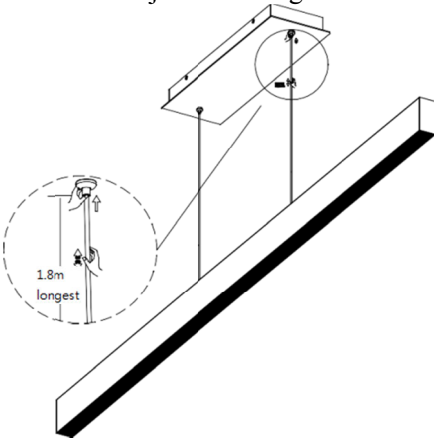


Installation Precautions:

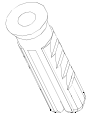
1. Please read the manual carefully before installation and have a professional electrician install it;
2. To avoid the risk of electric shock, please confirm to turn off the power before installation and maintenance;
3. Before installing the lamp, please confirm that the installation surface is firm and reliable to avoid the lamp from falling;
4. The light source of this lamp is non replaceable; When the light source reaches its end of life, the entire lamp should be replaced;
5. Please cooperate with Bluetooth software for dimming/switching operations (please download the software from the official website of Huage and refer to the LLBPE Bluetooth software operation manual);
6. Keep the instruction manual for reference only.

Light Installation and Wiring:

<p>① Drill 2 holes on the ceiling using a suction tray: Φ 6x28</p> 	<p>② Insert the expansion screw ① into the hole in the ceiling. Note that if it is a gypsum board ceiling, use ① gypsum board special expansion screws.</p> 
<p>③ Lock the suction tray onto the ceiling with self tapping screws ②</p> 	<p>④ Wiring:</p> 
<p>⑤ Connect the power cord and wiring terminals according to polarity markings. After connecting the wires, lock the ceiling tray and ceiling box together with stainless steel screws ③</p> 	<p>⑥ After installation, the length of the steel wire rope can be adjusted as shown in the diagram, with a maximum adjustment range of 1.8 meters.</p> 

Accessories package parts:

Ⓐ



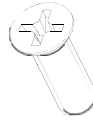
Expansion screws
Qty:2pcs

Ⓑ



Self tapping screws $\Phi 4 \times 22$
Qty:2pcs

Ⓒ



Stainless steel screws (spare)
Qty:1pcs



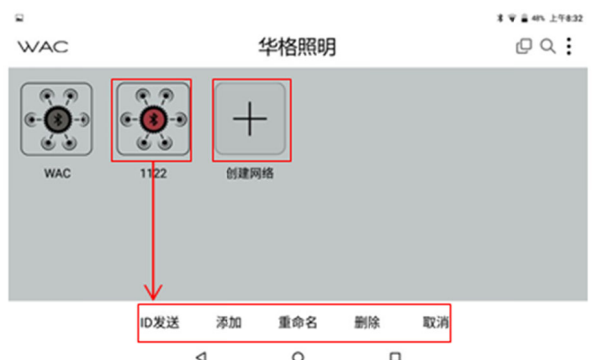

Ⓓ

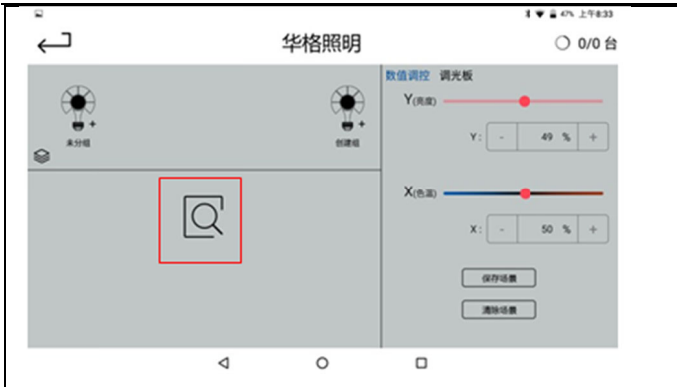


Expansion screws for
gypsum board
Qty:2pcs

Installation Precautions:

- 1、 The product is only suitable for use on WAC Bluetooth Huage lighting fixtures
- 2、 The only official website for software download is: <http://www.waclighting.com.cn/>
- 3、 This software currently only supports Huawei 8-inch M3, 10.8-inch M6, and Lenovo 8-inch TAB3 8 Plus; These three tablet models
- 4、 Control interface

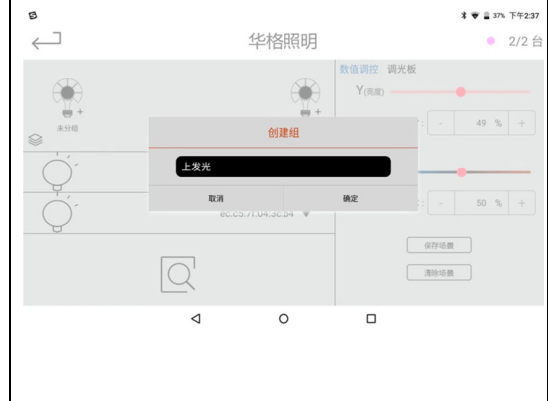
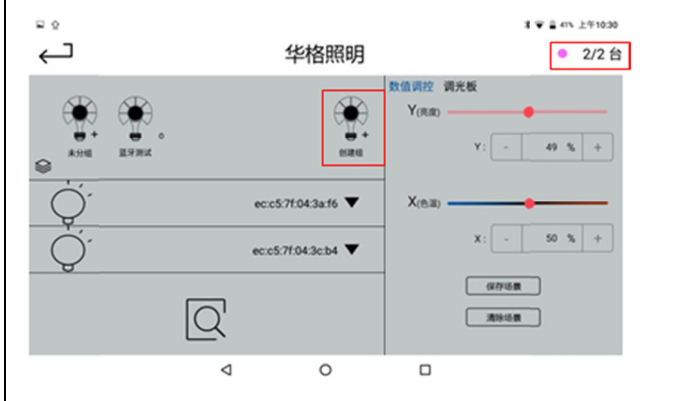
1. Networking Page	
<p>a. Enter the APP (initialize for a few seconds)</p> 	<p>b. Click on the menu in the upper right corner to view software related information</p> 
<p>c. Long press the network icon in the following picture, and a pop-up box will appear. You can choose the operation according to your needs:</p> 	<p>d. Click on the plus sign in Figure C, as shown in Figure D, fill in the required fields to create a new network:</p> 
2. Configuration interface	
<p>a. After completing the network creation, log in directly to the configuration interface</p>	<p>b. Turn on and off the light 6 times. When the light flashes, click on the scan icon in the above picture to scan the light and connect it to the network (power on for 1 second, keep it off for more than 3 seconds, and the interval time should not exceed 20 seconds)</p>



c. All lights do not flash, click to stop, wait for the number in the upper right corner to be equal

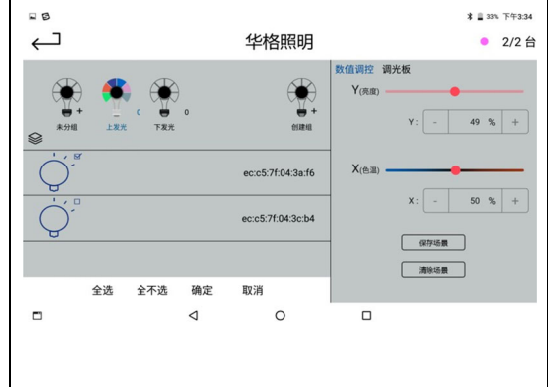
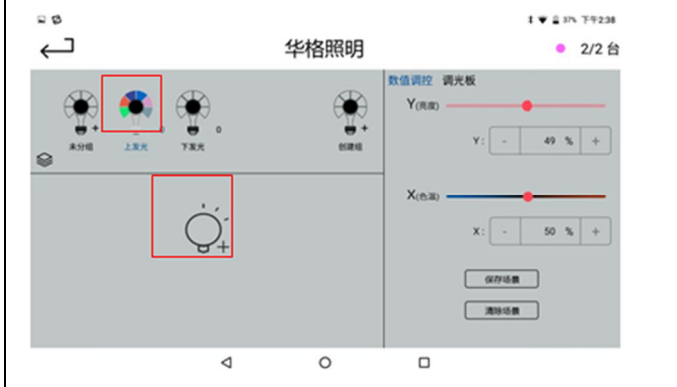


d. Click on "Create Group" in Figure C to group the lighting fixtures



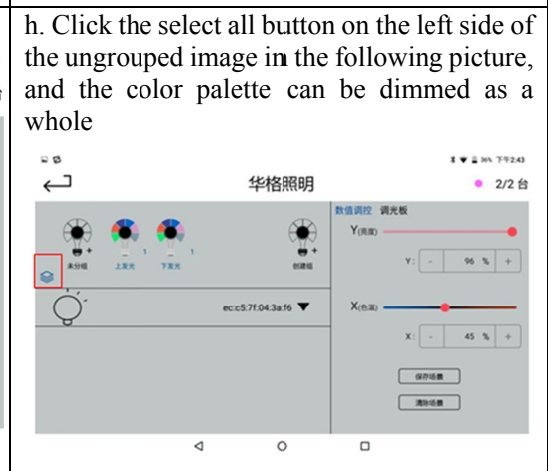
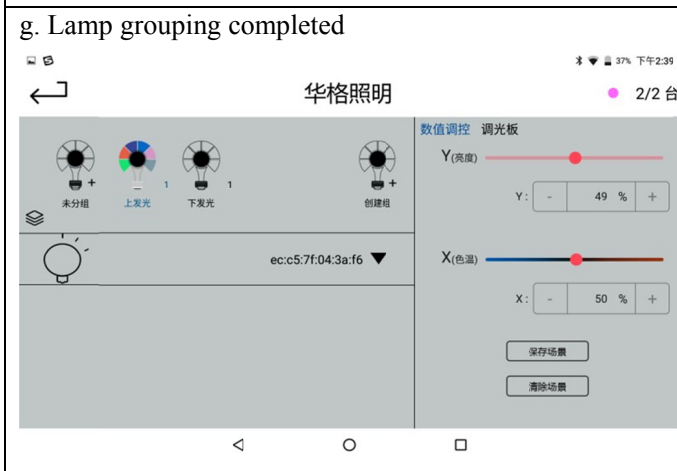
e. Clicking on the created group will display the illuminated icon;

f. Click on the illuminated icon in the e-image and select the lamp to join the group:



g. Lamp grouping completed

h. Click the select all button on the left side of the ungrouped image in the following picture, and the color palette can be dimmed as a whole



i. Dimming the group lights, click on the group with added lights in Figure 7, and the color palette can dimming the entire group of lights



j. The dimming mode is divided into two modes: numerical dimming and dimming plate dimming

The function of color temperature adjustment in this lamp is to adjust the angle of upper light emission (N~W angle adjustment)



k. Dimming completed, click on save scene, select save to specified scene



l. Long press the ungrouped icon to display the bottom pop-up scanning function



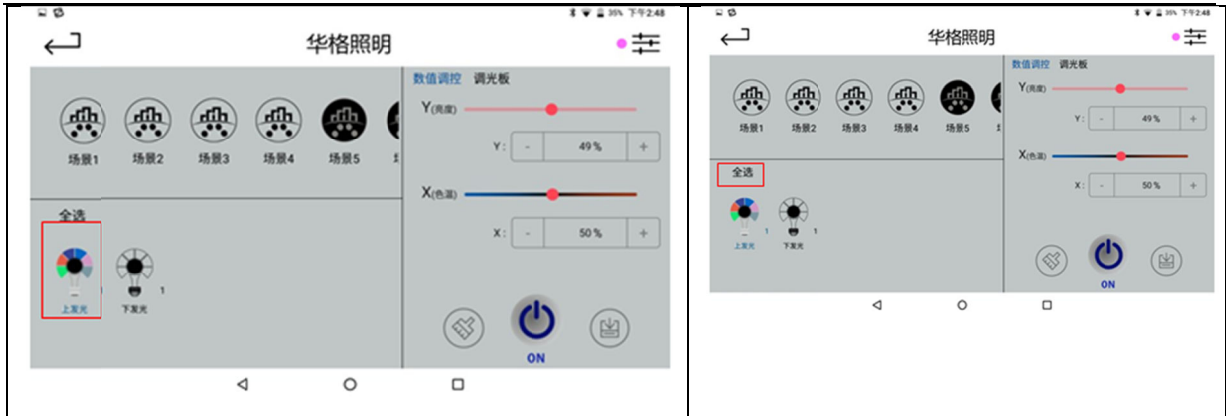
m. Long press the light group icon (except for ungrouped ones) to display a pop-up box at the bottom, where you can add, rename, and delete group lights.



3. Main interface

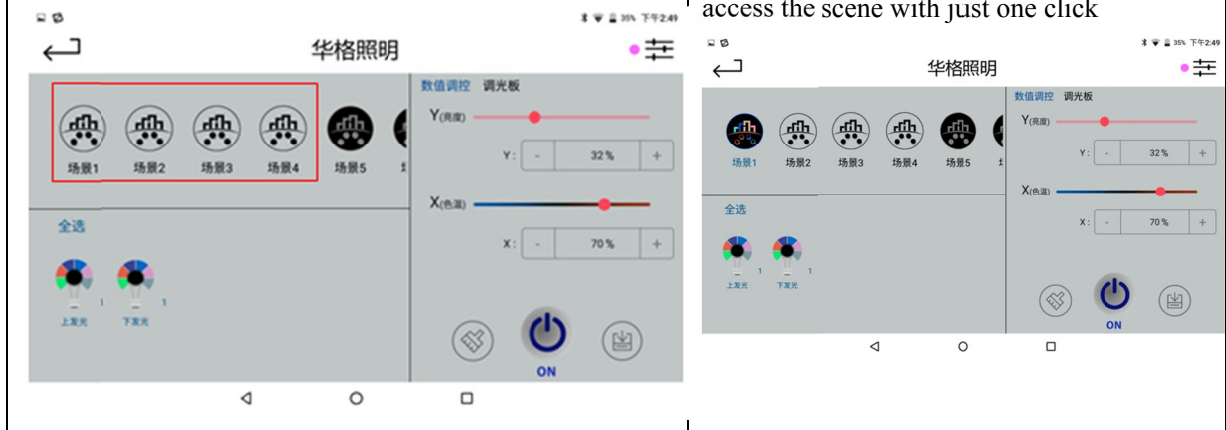
a. Click on the configuration interface to return to the main interface

b. Click on a group of lights in Figure A to switch and dim them



c. Click on Figure B to select all, switch and dim all

d. Click on the scene icon in Figure C to access the scene with just one click



e. Click on the modify scene icon in the following image to modify the current scene

f. Click on the clear scene icon in the following image to prompt whether the currently selected scene should be cleared. This will clear the current scene.

