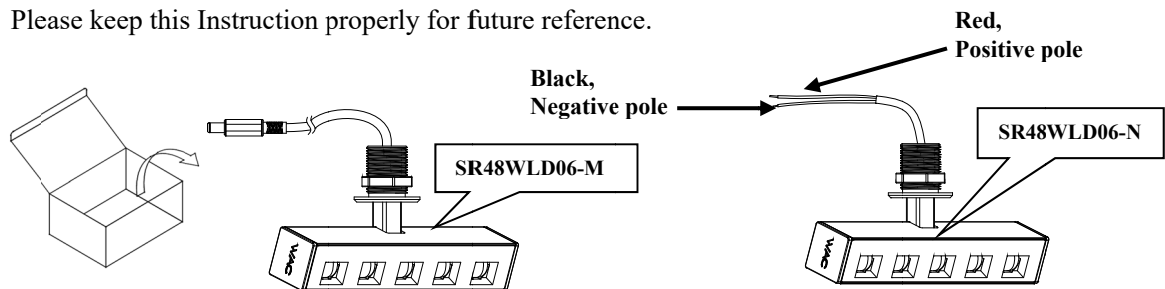


Installation Precautions:

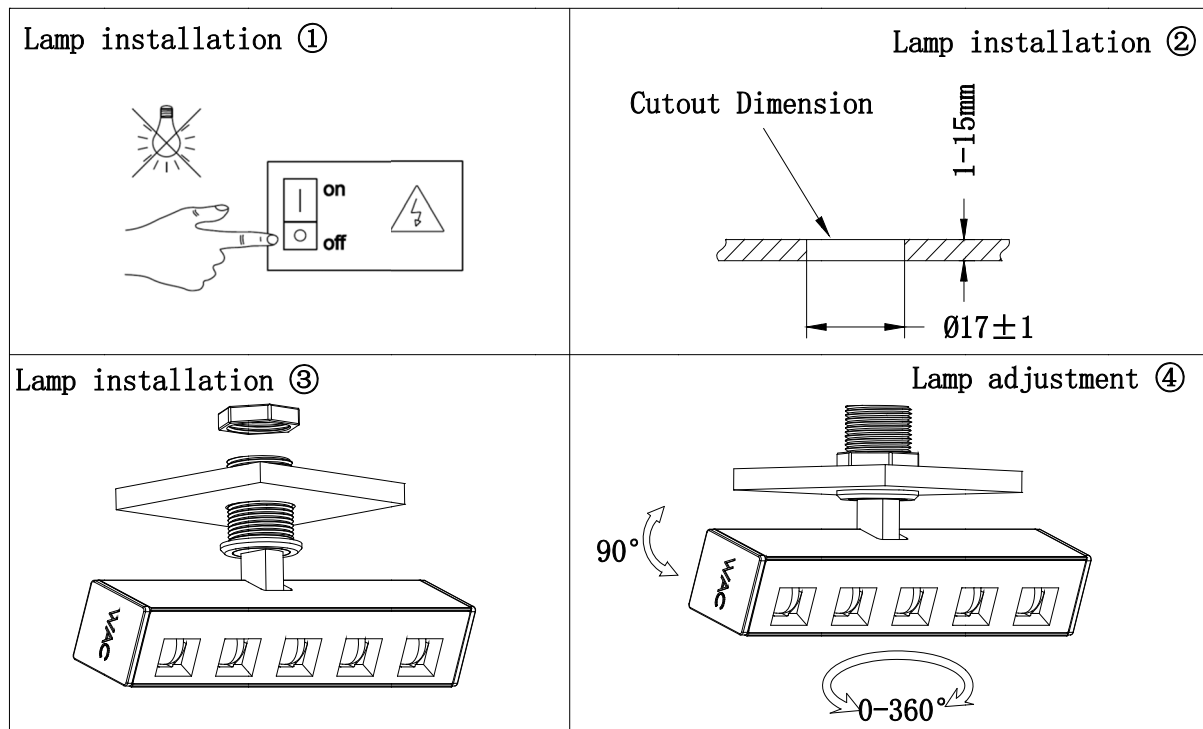
1. Please read through the Instructions before installation.
2. The product should be installed by a professional electrician; Make sure the power supply is cut off before installation and maintenance, to avoid the risk of electric shock
3. Suitable for indoor installation and use (not suitable for damp environments).
4. The lighting fixtures cannot be directly connected to the mains 220V and need to be used together with the electrical appliances. The dimming system used must be tested for compatibility with the electrical appliances in advance.
5. The light source of this fixture is non-replaceable, and once it needs to be replaced (such as at the end of the fixture's lifespan), the entire fixture should be replaced
6. Please keep this Instruction properly for future reference.



Lamp parameters and electrical selection:

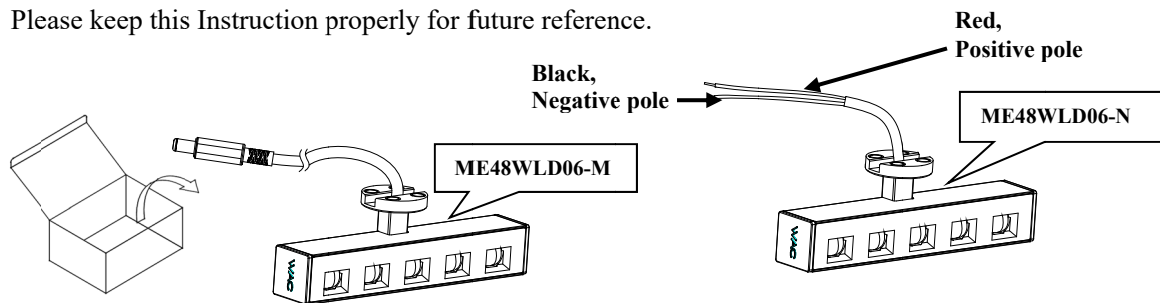
SR48WLD06-M	Used with WAC MTB power splitter
SR48WLD06-N	WAC brand electrical appliances: 4LD-350MA10D-LF-C (6-30V), supporting 0-10V dimming, (to be ordered separately)

Light Installation and Wiring:



Installation Precautions:

1. Please read through the Instructions before installation.
2. The product should be installed by a professional electrician; Make sure the power supply is cut off before installation and maintenance, to avoid the risk of electric shock
3. Suitable for indoor installation and use (not suitable for damp environments).
4. The lighting fixtures cannot be directly connected to the mains 220V and need to be used together with the electrical appliances. The dimming system used must be tested for compatibility with the electrical appliances in advance.
5. The light source of this fixture is non-replaceable, and once it needs to be replaced (such as at the end of the fixture's lifespan), the entire fixture should be replaced
6. Please keep this Instruction properly for future reference.



Lamp parameters and electrical selection:

ME48WLD06-M	Used with WAC MTB power splitter
ME48WLD06-N	WAC brand electrical appliances: 4LD-350MA10D-LF-C (6-30V), supporting 0-10V dimming, (to be ordered separately)

Light Installation and Wiring:

