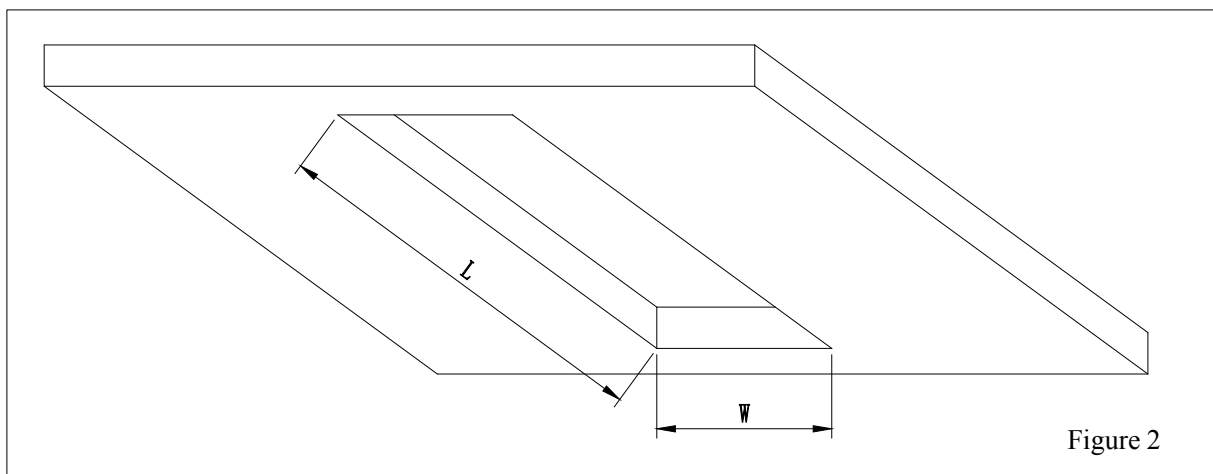
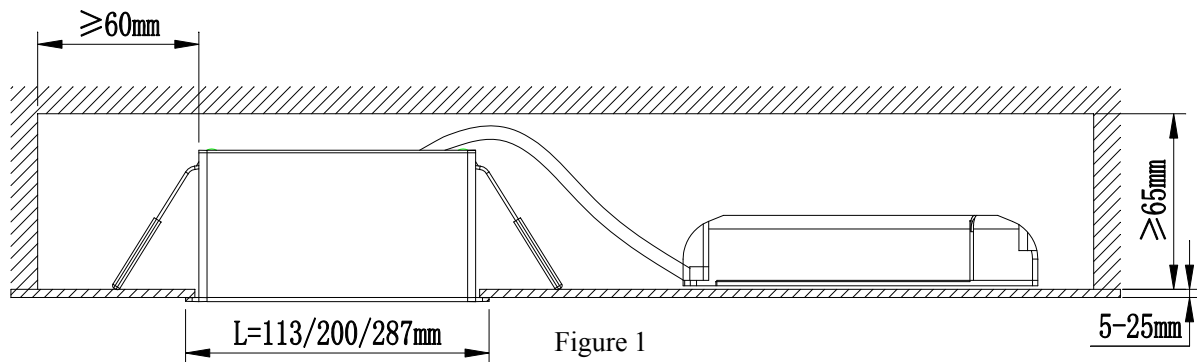


Installation Precautions:

1. Please read through the Instructions before installation.
2. The product should be installed by a professional electrician.
3. Make sure the power supply is cut off before installation and maintenance, to avoid the risk of electric shock.
4. Suitable for indoor installation and use (not suitable for wet location).
5. Do not install the light on an unstable or unsolid skylight, to avoid falling off.
6. The lighting fixtures need to undergo compatibility testing with the dimming system in advance;
7. The light can be recessed on the ceiling, where sufficient space must be reserved for installation. Do not cover the light with any thermal insulation or consumable articles to avoid fire hazards.
8. Please keep this Instruction properly for future reference.

Light Installation and Wiring:

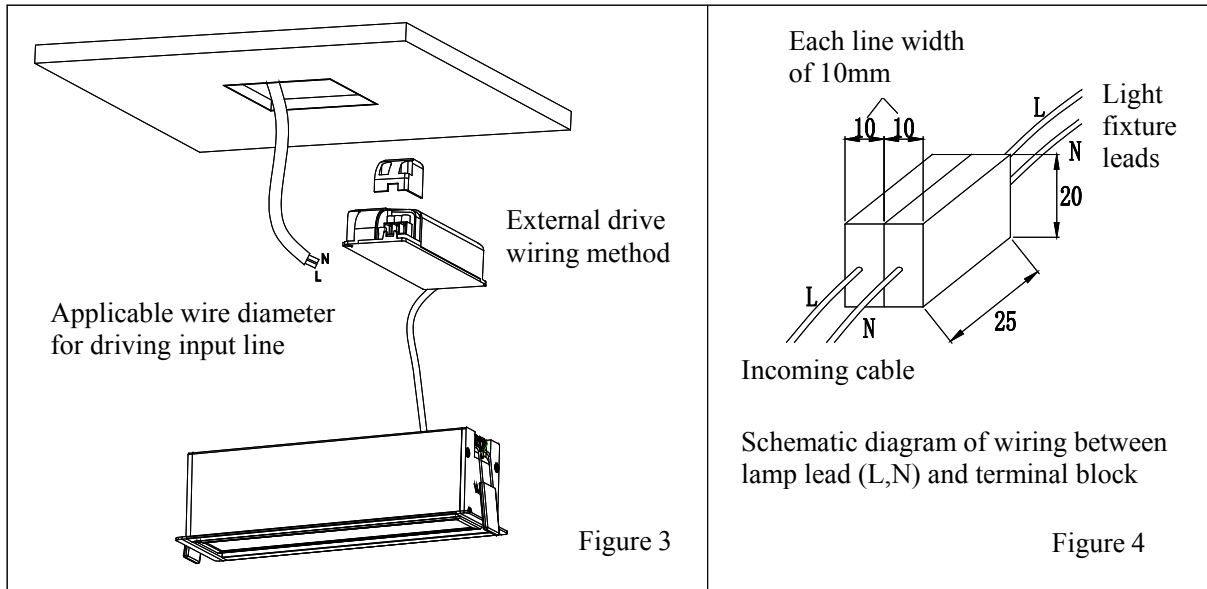
1. Open installation cut-offs for lighting fixtures on the ceiling, and the lighting fixtures should be suitable for a ceiling thickness of 5-25mm; The installation space height of the lighting fixtures inside the ceiling should be $\geq 65\text{mm}$ (as shown in Figure 1). Select the corresponding ceiling cut-off size according to the lighting fixture specifications, and pre open the lighting fixture installation cut-off on the ceiling (see Figure 2 for installation cut-off size).



Fixture Model	Cut-off length L (unit: mm)	Cut-off width L (unit: mm)
SR51WLD06	106	50
SR51WLD12	193	50
SR51WLD18	280	50

Table 1

- Use a screwdriver to open the drive wiring cover and connect the neutral and live wires of the mains to the N and L poles of the drive; After wiring is completed, install the wiring cover back, as shown in Figure 3.
- If the driver of the fixture comes with a lead wire, and this connecting lead wire needs to be connected to an independent terminal block (refer to the schematic diagram in Figure 4 for wiring), the size of each terminal block should not be less than 10x20x25mm.



- After connecting the wires, first place the one that goes through the ceiling cut-off into the interior of the ceiling, and then twist the springs at both ends by hand to install the fixture into the ceiling cut-off, as shown in Figure 5.

