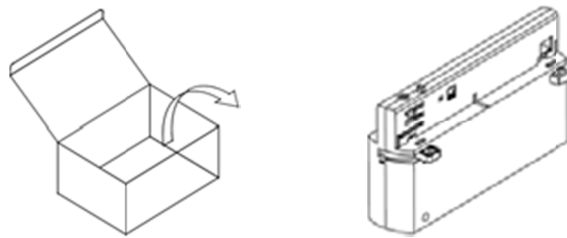


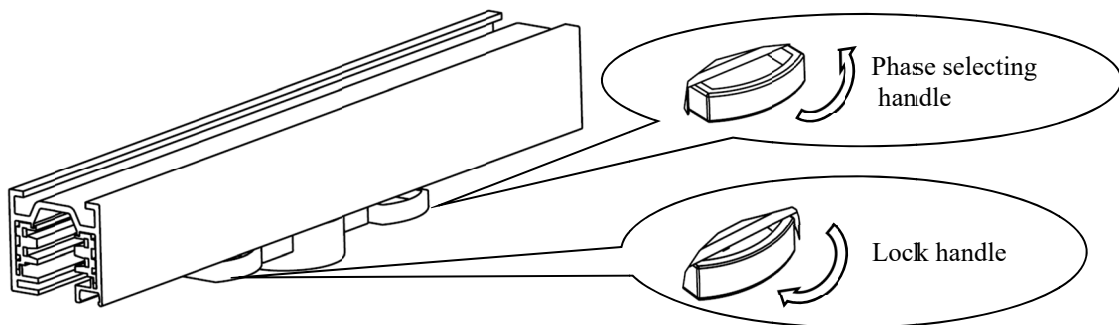
## Installation Precautions:

1. Please read through the Instructions before installation.
2. This light is used in the W2 3-phase track system or on tracks compatible with other company brands, the track parameters as below:  
Input voltage: AC 220-240V, max current: 16A, max load: 3680W;
3. The product should be installed by a professional electrician.
4. Make sure the power supply is cut off before installation and maintenance, to avoid the risk of electric shock.
5. Indoor use only, not for humid environment.
6. The LED source in the light is not replaceable, if need replace, must be replaced the whole light.
7. Please keep this Instruction properly for future reference.

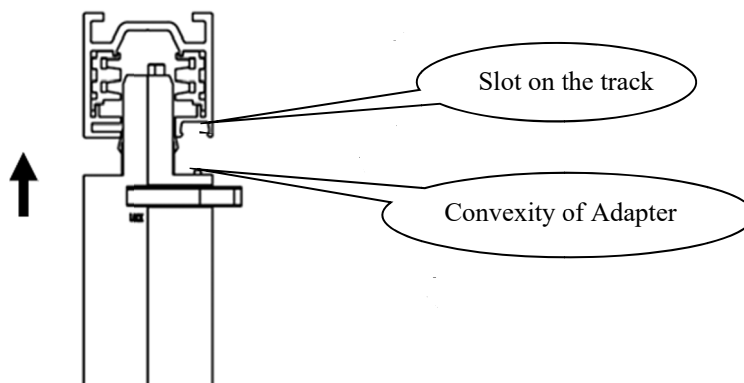


## Light Installation:

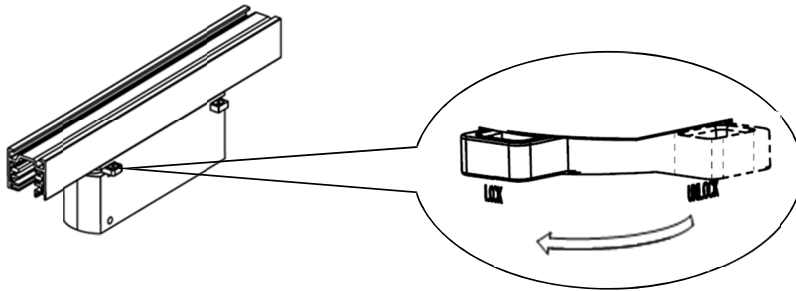
1. Before assembly, ensure that the locking handle is in the "Unlock" position, and the phase selecting handle is in the "0" position.



2. Ensure the convexity on the adaptor box is at the same side with the slot on the track.

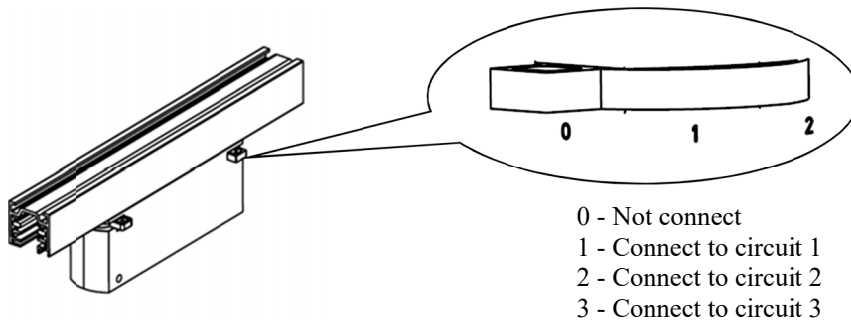


3. Turn the "locking handle" in the "Lock" position.



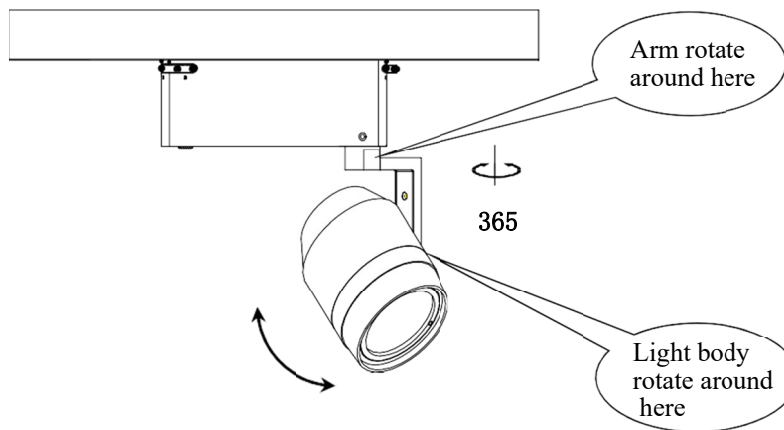
Note: Removing the light adapter is the opposite of installing the light adapter.

### Phase positioning:

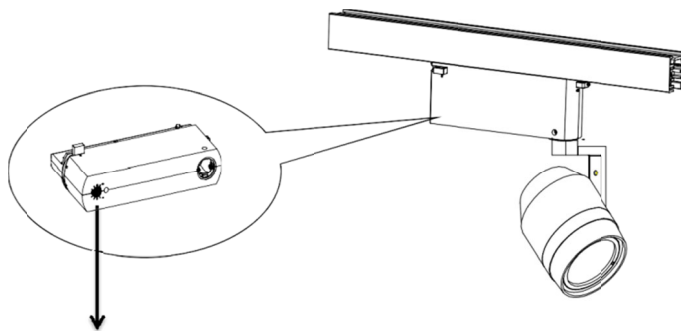


### Light positioning:

Rotate the light's body horizontally or vertically to aim it properly. The light can rotate  $\pm 90^\circ$  vertically and  $360^\circ$  horizontally.



### Light dimming:



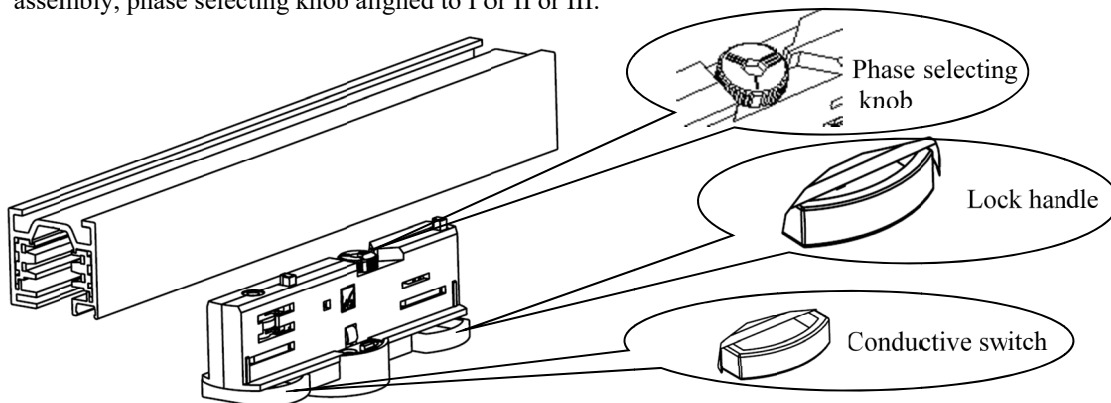
Dimming range: 10%-100%

## Installation Precautions:

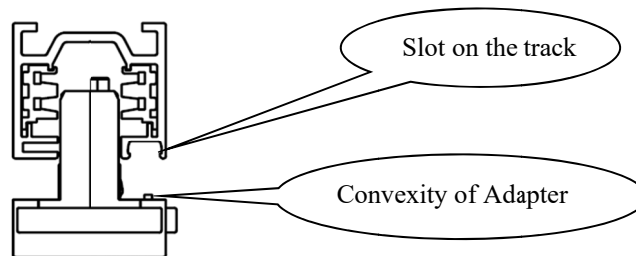
1. Please read through the Instructions before installation.
2. This light is used in the W2 3-phase track system or on tracks compatible with other company brands, the track parameters as below:  
Input voltage: AC 220-240V, max current: 16A, max load: 3680W;
3. The product should be installed by a professional electrician.
4. Make sure the power supply is cut off before installation and maintenance, to avoid the risk of electric shock.
5. Indoor use only, not for humid environment.
6. The LED source in the light is not replaceable, if need replace, must be replaced the whole light.
7. Please keep this Instruction properly for future reference.

## Light Installation:

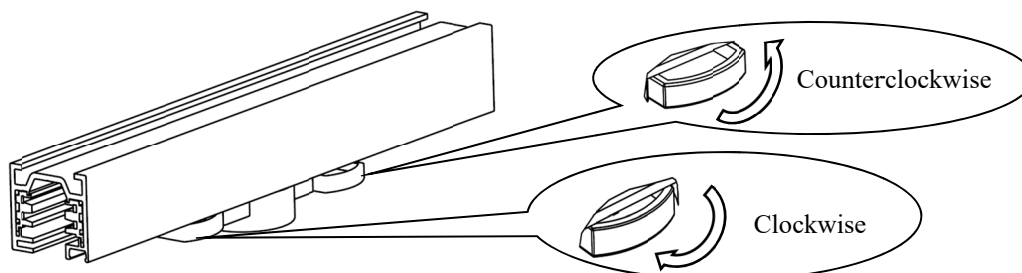
1. Ensure that the locking handle and the conductive switch are at a 90 degree Angle from the connector before assembly, phase selecting knob aligned to I or II or III.



2. Ensure the convexity on the adaptor box is at the same side with the slot on the track.

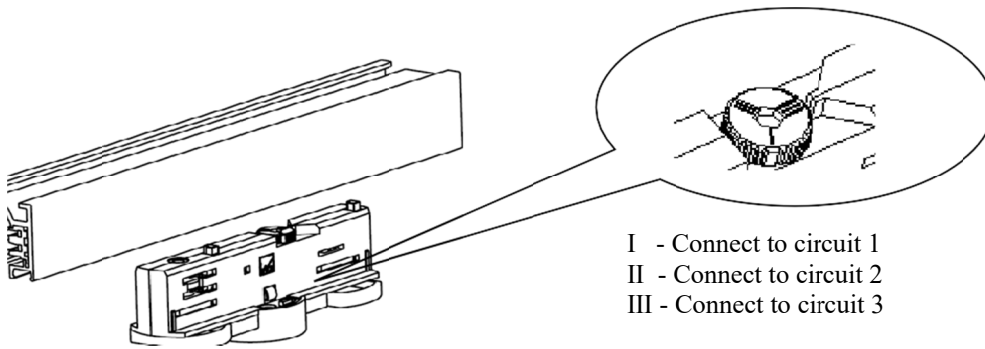


3. Turn the "conductive switch" clockwise and the "locking handle" counterclockwise by 90 degrees for conduction and locking.



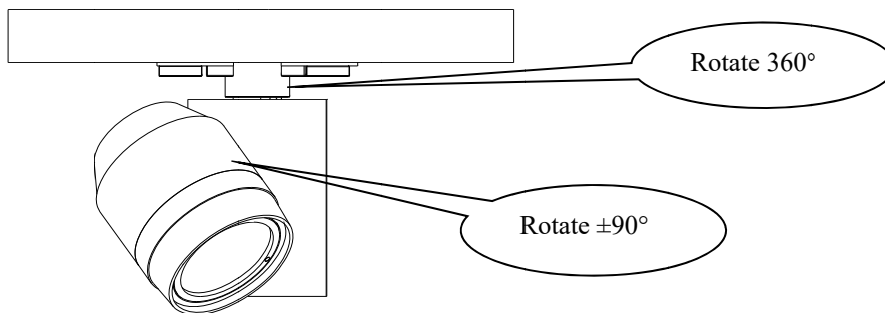
Note: Removing the light adapter is the opposite of installing the light adapter.

**Phase positioning:**



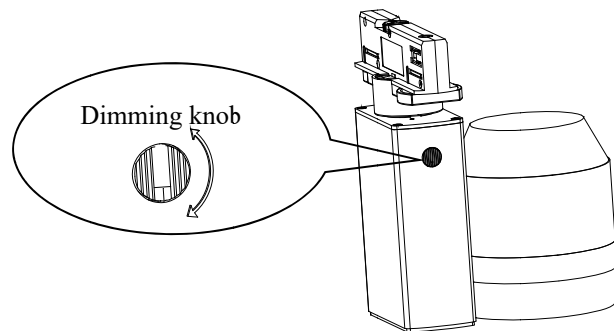
**Light positioning:**

Rotate the light's body horizontally or vertically to aim it properly. The light can rotate  $\pm 90^\circ$  vertically and  $360^\circ$  horizontally.



**Light dimming:**

Rotate the dimming knob clockwise and counter clockwise with a slotted screwdriver to dimming of 100% -10% (see right figure)



**Track maximum loading**

1. Track system can withstand the maximum weight as shown in the below figure, which includes the weight of the entire suspension system.
2. A single adapter can withstand a maximum load of 10kg (apply the load to the adapter according to the normal installation position of the lamp).

