

# PALOMA CCT TUNABLE - MODEL: TL51F

## W Track Luminaires

**WAC LIGHTING**  
Responsible Lighting®

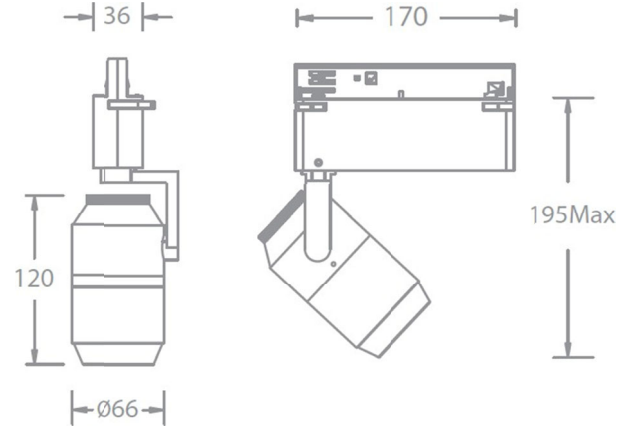
PROJECT :

TYPE :

### Product Image



### Line Drawing



### Product Description

The PALOMA Tunable series track spotlights have a simple and elegant appearance, with cylindrical lamps designed in a streamlined manner. The carefully designed lines and back contours make the lamps more three-dimensional and suitable for today's architectural trends. Adopting a unique optical system design and leading LED technology, the beam angle can be changed according to the needs of different application environments. At the same time, the color temperature can be infinitely adjusted, and the operation is intelligent and convenient. The appearance of the lamp remains unchanged in all adjustment states, making it suitable for museums, art galleries, high-end businesses and other places.

### Product Features

- Body Material: Aluminum alloy die-casting
- Optical System: Pancratic lens
- Finish: Electrostatic powder coating, black (BK), white (WT)
- Adjustable Angle: Horizontal adjustment from 0 ° to 365 °; Vertical 0-90 ° adjustment
- Accessories: Optical accessories can be added
- Certification: CCC/CE
- IP Rating: IP20
- Insulation Level: Class I
- Operating Temperature: -20°C~40°C

### Product Specifications

- Light source type: Adjustable color temperature module group
- Light source power: 11W
- Luminous flux of light source: 1000lm max
- LED Lifetime: >50000h-L70 /B10-Ta25°C(LM-80/TM-21)
- CCT/CRI: 2700K~5000K adjustable,>Ra90
- SDCM: 3 SDCM
- Input: 220V~240V AC / 50Hz
- Dimming: Wireless dimming (requires WAC dimming control system)
- Net Weight: 0.7Kg without packing

### Order Model

Model	LED	Dimming	Beam	CRI	CCT	Finish
TL51F Paloma Tunable	LM11 LED 11W	B Wireless	F 12~50°	9 90	CC 2700K-5000K	WT White BK Black
TL51F	LM11	B	F	9	CC	WT

Example : TL51FLM11-B-F9CCWT



**PALOMA CCT TUNABLE - MODEL: TL51F**  
W Track Luminaires

**WAC LIGHTING**  
Responsible Lighting®

PROJECT :

TYPE :

**Accessory**

Class I accessories	Anti glare tube 	Anti glare bee mesh grille 
Class II accessories	Four leaf shading board 	

Note: Up to two optical accessories can be added, and each type of accessory can only be added one at a time.

# PALOMA CCT TUNABLE - MODEL: TL53F

## W Track Luminaires

**WAC LIGHTING**  
Responsible Lighting®

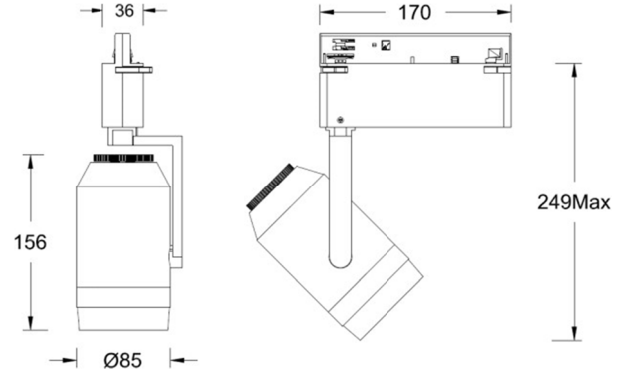
PROJECT :

TYPE :

### Product Image



### Line Drawing



### Product Description

The PALOMA Tunable series track spotlights have a simple and elegant appearance, with cylindrical lamps designed in a streamlined manner. The carefully designed lines and back contours make the lamps more three-dimensional and suitable for today's architectural trends. Adopting a unique optical system design and leading LED technology, the beam angle can be changed according to the needs of different application environments. At the same time, the color temperature can be infinitely adjusted, and the operation is intelligent and convenient. The appearance of the lamp remains unchanged in all adjustment states, making it suitable for museums, art galleries, high-end businesses and other places.

### Product Features

- Body Material: Aluminum alloy die-casting
- Optical System: Pancratic lens
- Finish: Electrostatic powder coating, black (BK), white (WT)
- Adjustable Angle: Horizontal adjustment from 0 ° to 365 °; Vertical 0-90 ° adjustment
- Accessories: Optical accessories can be added
- Certification: CCC/CE
- IP Rating: IP20
- Insulation Level: Class I
- Operating Temperature: -20°C~40°C

### Product Specifications

- Light source type: Adjustable color temperature module group
- Light source power: 23W
- Luminous flux of light source: 2000lm max
- LED Lifetime: >50000h-L70 /B10-Ta25°C(LM-80/TM-21)
- CCT/CRI: 2700K~5000K adjustable,>Ra90
- SDCM: 3 SDCM
- Input: 220V~240V AC / 50Hz
- Dimming: Wireless dimming (requires WAC dimming control system)
- Net Weight: 1.3Kg without packing

### Order Model

Model	LED	Dimming	Beam	CRI	CCT	Finish
TL53F Paloma Tunable	LM23 LED 23W	B Wireless	F 15~50°	9 90	CC 2700K-5000K	WT White BK Black
TL53F	LM23	B	F	9	CC	WT

Example : TL53FLM23-B-FCCWT





**PALOMA CCT TUNABLE - MODEL: TL53F**  
**W Track Luminaires**

**WAC LIGHTING**  
 Responsible Lighting®

PROJECT :

TYPE :

**Accessory**

Class I accessories	Anti glare tube 	Anti glare cross grille 	Anti glare bee mesh grille 
Class II accessories	<b>TL-520-BD</b> Four leaf shading board 		

Note: Up to two optical accessories can be added, and each type of accessory can only be added one at a time.

# PALOMA CCT TUNABLE - MODEL: TL54F

## W Track Luminaires

**WAC LIGHTING**  
Responsible Lighting®

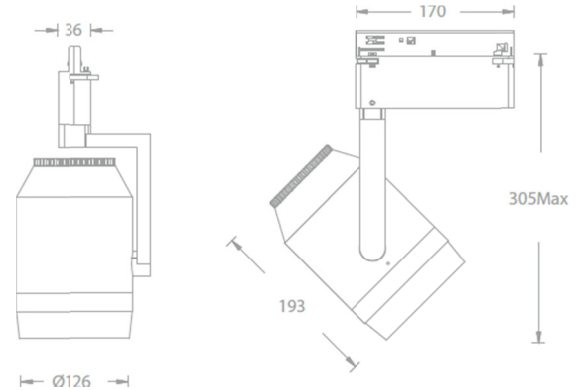
PROJECT :

TYPE :

### Product Image



### Line Drawing



### Product Description

The PALOMA Tunable series track spotlights have a simple and elegant appearance, with cylindrical lamps designed in a streamlined manner. The carefully designed lines and back contours make the lamps more three-dimensional and suitable for today's architectural trends. Adopting a unique optical system design and leading LED technology, the beam angle can be changed according to the needs of different application environments. At the same time, the color temperature can be infinitely adjusted, and the operation is intelligent and convenient. The appearance of the lamp remains unchanged in all adjustment states, making it suitable for museums, art galleries, high-end businesses and other places.

### Product Features

- Body Material: Aluminum alloy die-casting
- Optical System: Pancratic lens
- Finish: Electrostatic powder coating, black (BK), white (WT)
- Adjustable Angle: Horizontal adjustment from 0 ° to 365 °; Vertical 0-90 ° adjustment
- Accessories: Optical accessories can be added
- Certification: CCC/CE
- IP Rating: IP20
- Insulation Level: Class I
- Operating Temperature: -20°C~40°C

### Product Specifications

- Light source type: Adjustable color temperature module group
- Light source power: 32W
- Luminous flux of light source: 3000lm max
- LED Lifetime: >50000h-L70 /B10-Ta25°C(LM-80/TM-21)
- CCT/CRI: 2700K~5000K adjustable,>Ra90
- SDCM: 3 SDCM
- Input: 220V~240V AC / 50Hz
- Dimming: Wireless dimming (requires WAC dimming control system)
- Net Weight: 2.7Kg without packing

### Order Model

Model	LED	Dimming	Beam	CRI	CCT	Finish
<b>TL54F</b> Paloma Tunable	<b>LM32</b> LED 32W	<b>B</b> Wireless	<b>F</b> 15~50°	<b>9 90</b>	<b>CC</b> 2700K-5000K	<b>WT</b> White <b>BK</b> Black
TL54F	LM32	B	F	9	CC	WT

Example : TL54FLM32-B-FCCWT




**PALOMA CCT TUNABLE - MODEL: TL54F**  
W Track Luminaires

**WAC LIGHTING**  
Responsible Lighting®

PROJECT :

TYPE :

**Accessory**

Class I accessories	Anti glare tube 	Anti glare bee mesh grille 
Class II accessories	Four leaf shading board 	

Note: Up to two optical accessories can be added, and each type of accessory can only be added one at a time.