

ELANA II - MODEL: DDF31

Recessed Ceiling Luminaires

WAC LIGHTING

Responsible Lighting®

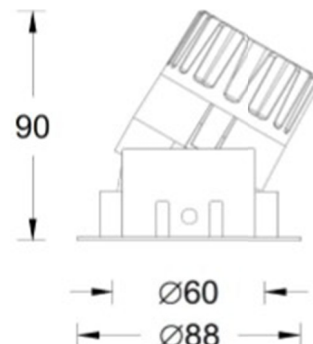
PROJECT:

TYPE:

Product Image



Line Drawing



Product Description

ELANA series downlights, focusing on the field of hotel rooms. Multi-color temperature, multi-angle, multi-faceted frame optional. Lens light distribution is used to ensure accurate light output, and the stepped anti-glare technology is used to bring a comfortable light environment.

Product Features

- Body Material : Aluminum alloy die-casting
- Optical System: Lens+stepped anti-glare optical system
- Finish: Static electricity powder coating
- Adjustable Angle: horizontally 0°~355° and vertically 0°~40°
- Accessories: /
- Certification: CCC
- IP Rating: IP20
- Insulation Level: Class II
- Operating Temperature: -20°C~40°C

Product Specifications

- Cut-out: Ø78
- Ceiling Thickness: 1mm~25mm
- Shielding Angle: 35°
- LED Type: COB
- Source Lm: 800lm/7w 3000k; 1100lm/10w 3000k;
- LED Lifetime: >36000h-L70 /B10-Ta25°C(LM-80/TM-21)
- CCT/CRI: 2700K/ 3000K/4000K, Ra90
- SDCM: 3 SDCM
- Input: 220V~240V AC / 50Hz
- Dimming: On-off / 0-10V
- Net Weight: 0.65Kg without packing

Order Model

| Model | Size | Trim | LED | Driver | CCT | Beam | Reflector | Finish |
|---|---------|-----------------|---------|----------|----------|-------|-----------|-------------|
| DDF Downlight Directional F series | 3 3" | 1 Round Trim | LM07 | E On-Off | 27 2700K | 1 18° | B Black | WT White |
| | | | COB 7W | D 0-10V | 30 3000K | 2 24° | | |
| | | | LM10 | Dimming | 40 4000K | 3 36° | | |
| | | | COB 10W | | | | | |

Example: DDF31-LM07E-302BWT

Accessories

/

WAC Lighting

www.waclighting.com (US)
www.waclighting.com.cn (China)

Headquarters

44 Harbor Park Drive • Port Washington, NY
Phone (516) 515.5000 • Fax (516) 515.5050

WAC Lighting(Shanghai)

14,Lane 299, Bi Sheng Road,Shanghai 201204
Phone (86.21) 3393.3558 • Fax (86.21) 3362.1598

ELANA II - MODEL: DDF31

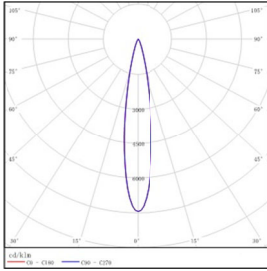
Recessed Ceiling Luminaires

WAC LIGHTING

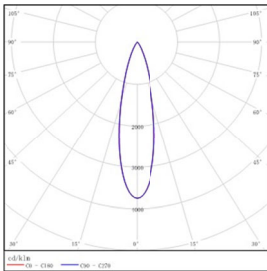
Responsible Lighting®

PROJECT:

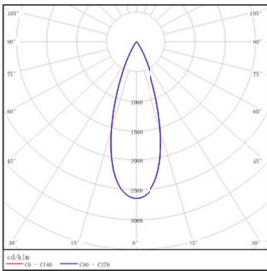
TYPE:



| | | |
|---------------------|--------------------|--------------------|
| MODEL : | DDF31-LM07E-301BWT | DDF31-LM10E-301BWT |
| BEAM ANGLE : | 18° | 18° |
| POWER : | 9 W | 11 W |
| LUMENS : | 482 lm | 603 lm |
| CBCP : | 3614 cd | 4517 cd |
| EFFICACY : | 54 lm/W | 58 lm/W |



| | | |
|---------------------|--------------------|--------------------|
| MODEL : | DDF31-LM07E-302BWT | DDF31-LM10E-302BWT |
| BEAM ANGLE : | 24° | 24° |
| POWER : | 9 W | 11 W |
| LUMENS : | 462 lm | 578 lm |
| CBCP : | 1744 cd | 2180 cd |
| EFFICACY : | 51 lm/W | 56 lm/W |



| | | |
|---------------------|--------------------|--------------------|
| MODEL : | DDF31-LM07E-303BWT | DDF31-LM10E-303BWT |
| BEAM ANGLE : | 36° | 36° |
| POWER : | 9 W | 11 W |
| LUMENS : | 522 lm | 653 lm |
| CBCP : | 1404 cd | 1755 cd |
| EFFICACY : | 58 lm/W | 63 lm/W |

WAC Lighting

www.waclighting.com (US)

www.waclighting.com.cn (China)

Headquarters

44 Harbor Park Drive • Port Washington, NY

Phone (516) 515.5000 • Fax (516) 515.5050

WAC Lighting(Shanghai)

14,Lane 299, Bi Sheng Road,Shanghai 201204

Phone (86.21) 3393.3558 • Fax (86.21) 3362.1598

ELANA II - MODEL: DDF35

Recessed Ceiling Luminaires

WAC LIGHTING

Responsible Lighting®

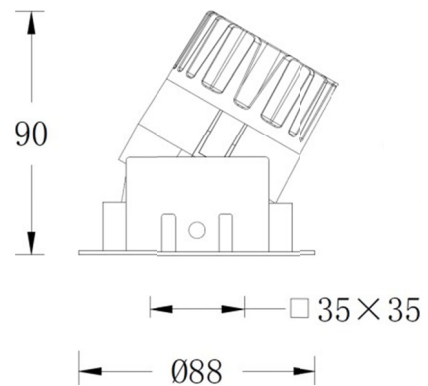
PROJECT:

TYPE:

Product Image



Line Drawing



Product Description

ELANA series downlights, focusing on the field of hotel rooms. Multi-color temperature, multi-angle, multi-faceted frame optional. Lens light distribution is used to ensure accurate light output, and the stepped anti-glare technology is used to bring a comfortable light environment.

Product Features

- Body Material : Aluminum alloy die-casting
- Optical System: Lens+stepped anti-glare optical system
- Finish: Static electricity powder coating
- Adjustable Angle: horizontally 0°~355° and vertically 0°~40°
- Accessories: /
- Certification: CCC
- IP Rating: IP20
- Insulation Level: Class II
- Operating Temperature: -20°C~40°C

Product Specifications

- Cut-out: Ø78
- Ceiling Thickness: 1mm~25mm
- Shielding Angle: 35°
- LED Type: COB
- Source Lm: 800lm/7w 3000k; 1100lm/10w 3000k;
- LED Lifetime: >36000h-L70 /B10-Ta25°C(LM-80/TM-21)
- CCT/CRI: 2700K/ 3000K/4000K, Ra90
- SDCM: 3 SDCM
- Input: 220V~240V AC / 50Hz
- Dimming: On-off / 0-10V
- Net Weight: 0.65Kg without packing

Order Model

| Model | Size | Trim | LED | Driver | CCT | Beam | Reflector | Finish |
|---|---------|------------------|---------|----------|----------|-------|-----------|-------------|
| DDF Downlight Directional F series | 3 3" | 5 Square Trim | LM07 | E On-Off | 27 2700K | 1 15° | B Black | WT White |
| | | | COB 7W | D 0-10V | 30 3000K | 2 24° | | |
| | | | LM10 | Dimming | 40 4000K | 3 36° | | |
| | | | COB 10W | | | | | |

Example: DDF35-LM07E-302BWT

Accessories

/

WAC Lighting

www.waclighting.com (US)
www.waclighting.com.cn (China)

Headquarters

44 Harbor Park Drive • Port Washington, NY
Phone (516) 515.5000 • Fax (516) 515.5050

WAC Lighting(Shanghai)

14,Lane 299, Bi Sheng Road,Shanghai 201204
Phone (86.21) 3393.3558 • Fax (86.21) 3362.1598

ELANA II - MODEL: DDF35

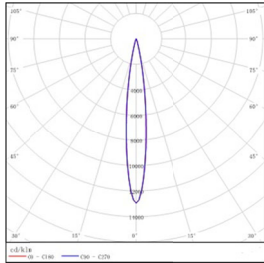
Recessed Ceiling Luminaires

WAC LIGHTING

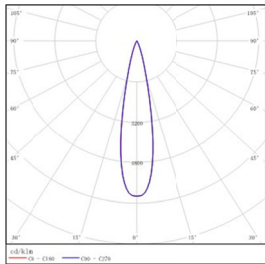
Responsible Lighting®

PROJECT:

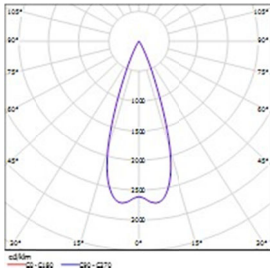
TYPE:



| | | |
|---------------------|--------------------|--------------------|
| MODEL : | DDF35-LM07E-301BWT | DDF35-LM10E-301BWT |
| BEAM ANGLE : | 15° | 15° |
| POWER : | 9 W | 11 W |
| LUMENS: | 394 lm | 483 lm |
| CBCP : | 5092 cd | 6248 cd |
| EFFICACY : | 44 lm/W | 44 lm/W |



| | | |
|---------------------|--------------------|--------------------|
| MODEL : | DDF35-LM07E-302BWT | DDF35-LM10E-302BWT |
| BEAM ANGLE : | 24° | 24° |
| POWER: | 9 W | 11 W |
| LUMENS : | 439 lm | 539 lm |
| CBCP : | 2693 cd | 3305 cd |
| EFFICACY : | 49 lm/W | 49 lm/W |



| | | |
|---------------------|--------------------|--------------------|
| MODEL : | DDF35-LM07E-303BWT | DDF35-LM10E-303BWT |
| BEAM ANGLE : | 36° | 36° |
| POWER : | 9 W | 11 W |
| LUMENS : | 496 lm | 609 lm |
| CBCP: | 1682 cd | 2064 cd |
| EFFICACY: | 55 lm/W | 55 lm/W |

WAC Lighting

www.waclighting.com (US)

www.waclighting.com.cn (China)

Headquarters

44 Harbor Park Drive • Port Washington, NY

Phone (516) 515.5000 • Fax (516) 515.5050

WAC Lighting(Shanghai)

14,Lane 299, Bi Sheng Road,Shanghai 201204

Phone (86.21) 3393.3558 • Fax (86.21) 3362.1598

WAC Lighting 保留对产品进行不定期设计更新的权利。 2020-08-20

ELANA II - MODEL: DDF3E

Recessed Ceiling Luminaires

WAC LIGHTING
Responsible Lighting®

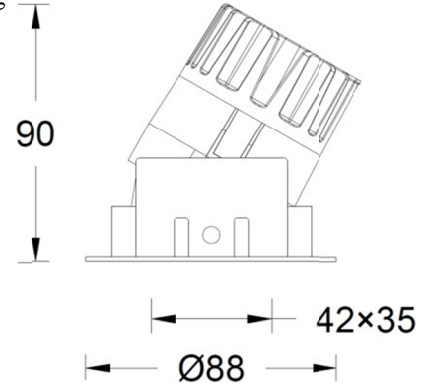
PROJECT:

TYPE:

Product Image



Line Drawing



Product Description

ELANA series downlights, focusing on the field of hotel rooms. Multi-color temperature, multi-angle, multi-faceted frame optional. Lens light distribution is used to ensure accurate light output, and the stepped anti-glare technology is used to bring a comfortable light environment.

Product Features

- Body Material : Aluminum alloy die-casting
- Optical System: Lens+stepped anti-glare optical system
- Finish: Static electricity powder coating
- Adjustable Angle: horizontally 0°~355° and vertically 0°~40°
- Accessories: /
- Certification: CCC
- IP Rating: IP20
- Insulation Level: Class II
- Operating Temperature: -20°C~40°C

Product Specifications

- Cut-out: Ø78
- Ceiling Thickness: 1mm~25mm
- Shielding Angle: 35°
- LED Type: COB
- Source Lm: 800lm/7w 3000k; 1100lm/10w 3000k;
- LED Lifetime: >36000h-L70 /B10-Ta25°C(LM-80/TM-21)
- CCT/CRI: 2700K/ 3000K/4000K, Ra90
- SDCM: 3 SDCM
- Input: 220V~240V AC / 50Hz
- Dimming: On-off / 0-10V
- Net Weight: 0.65Kg without packing

Order Model

| Model | Size | Trim | LED | Driver | CCT | Beam | Reflector | Finish |
|-------------------------|----------------|-----------------------|------------------------|--|---|--|----------------|--------------------|
| DDF Downlight | 3 3" | E Oval hole | LM07 COB 7W | E On-Off D 0-10V Dimming | 27 2700K 30 3000K 40 4000K | 1 15° 2 24° 3 36° | B Black | WT White |
| Directional F series | | | LM10 COB 10W | | | | | |

Example: DDF3E-LM07E-301BWT

Accessories

/

WAC Lighting
www.waclighting.com (US)
www.waclighting.com.cn (China)

Headquarters
44 Harbor Park Drive • Port Washington, NY
Phone (516) 515.5000 • Fax (516) 515.5050

WAC Lighting(Shanghai)
14,Lane 299, Bi Sheng Road,Shanghai 201204
Phone (86.21) 3393.3558 • Fax (86.21) 3362.1598

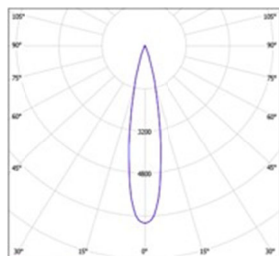
ELANA II - MODEL: DDF3E

Recessed Ceiling Luminaires

WAC LIGHTING
Responsible Lighting®

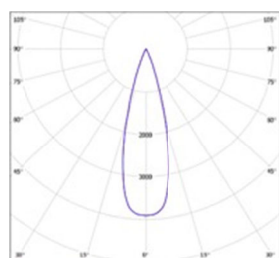
PROJECT:

TYPE:



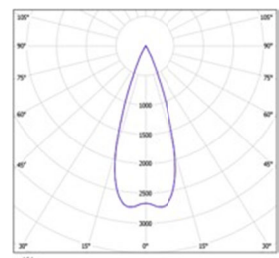
| | |
|--------------|--------------------|
| MODEL : | DDF3E-LM07E-301BWT |
| BEAM ANGLE : | 15° |
| POWER : | 9 W |
| LUMENS : | 351 lm |
| CBCP : | 3664 cd |
| EFFICACY : | 39 lm/W |

| | |
|--------------|--------------------|
| MODEL : | DDF3E-LM10E-301BWT |
| BEAM ANGLE : | 15° |
| POWER : | 11 W |
| LUMENS : | 431 lm |
| CBCP : | 4496 cd |
| EFFICACY : | 39 lm/W |



| | |
|--------------|--------------------|
| MODEL : | DDF3E-LM07E-302BWT |
| BEAM ANGLE : | 24° |
| POWER : | 9 W |
| LUMENS : | 451 lm |
| CBCP : | 2610 cd |
| EFFICACY : | 50 lm/W |

| | |
|--------------|--------------------|
| MODEL : | DDF3E-LM10E-302BWT |
| BEAM ANGLE : | 24° |
| POWER : | 11 W |
| LUMENS : | 553 lm |
| CBCP : | 3203 cd |
| EFFICACY : | 50 lm/W |



| | |
|--------------|--------------------|
| MODEL : | DDF3E-LM07E-303BWT |
| BEAM ANGLE : | 36° |
| POWER : | 9 W |
| LUMENS : | 478 lm |
| CBCP : | 1385 cd |
| EFFICACY : | 53 lm/W |

| | |
|--------------|--------------------|
| MODEL : | DDF3E-LM10E-303BWT |
| BEAM ANGLE : | 36° |
| POWER : | 11 W |
| LUMENS : | 586 lm |
| CBCP : | 1699 cd |
| EFFICACY : | 53 lm/W |

ELANA II - MODEL: DDF3P

Recessed Ceiling Luminaires

WAC LIGHTING

Responsible Lighting®

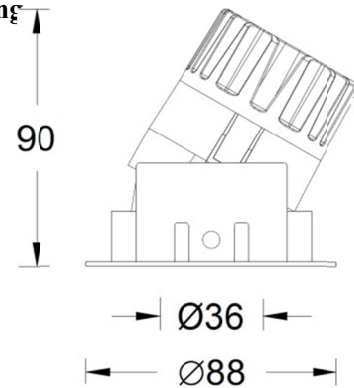
PROJECT:

TYPE:

Product Image



Line Drawing



Product Description

ELANA series downlights, focusing on the field of hotel rooms. Multi-color temperature, multi-angle, multi-faceted frame optional. Lens light distribution is used to ensure accurate light output, and the stepped anti-glare technology is used to bring a comfortable light environment.

Product Features

- Body Material : Aluminum alloy die-casting
- Optical System: Lens+stepped anti-glare optical system
- Finish: Static electricity powder coating
- Adjustable Angle: horizontally 0°~355° and vertically 0°~40°
- Accessories: /
- Certification: CCC
- IP Rating: IP20
- Insulation Level: Class II
- Operating Temperature: -20°C~40°C

Product Specifications

- Cut-out: Ø78
- Ceiling Thickness: 1mm~25mm
- Shielding Angle: 35°
- LED Type: COB
- Source Lm: 800lm/7w 3000k; 1100lm/10w 3000k;
- LED Lifetime: >36000h-L70 /B10-Ta25°C(LM-80/TM-21)
- CCT/CRI: 2700K/ 3000K/4000K, Ra90
- SDCM: 3 SDCM
- Input: 220V~240V AC / 50Hz
- Dimming: On-off / 0-10V
- Net Weight: 0.65Kg without packing

订购模型

| Model | Size | Trim | LED | Driver | CCT | Beam | Reflector | Finish |
|---|---------|---------------|-------------|-----------------|-----------------|--------------|----------------|--------------------|
| DDF Downlight Directional F series | 3 3" | P Pin hole | LM07 | E On-Off | 27 2700K | 1 15° | B Black | WT White |
| | | | COB 7W | D 0-10V | 30 3000K | 2 24° | | |
| | | | LM10 | Dimming | 40 4000K | 3 36° | | |
| | | | COB 10W | | | | | |

示例: DDF3P-LM07E-302BWT

配件

/

WAC Lighting

www.waclighting.com (US)
www.waclighting.com.cn (China)

Headquarters

44 Harbor Park Drive • Port Washington, NY
Phone (516) 515.5000 • Fax (516) 515.5050

WAC Lighting(Shanghai)

14,Lane 299, Bi Sheng Road,Shanghai 201204
Phone (86.21) 3393.3558 • Fax (86.21) 3362.1598

ELANA II - MODEL: DDF3P

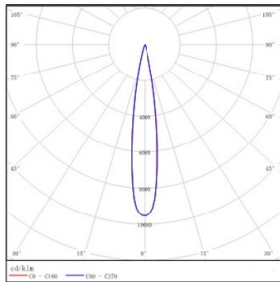
Recessed Ceiling Luminaires

WAC LIGHTING

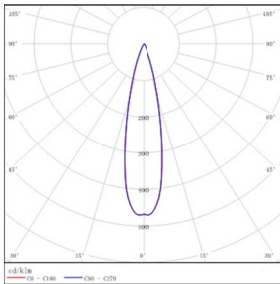
Responsible Lighting®

PROJECT:

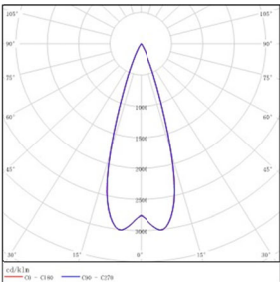
TYPE:



| | | |
|---------------------|--------------------|--------------------|
| MODEL : | DDF3P-LM07E-301BWT | DDF3P-LM10E-301BWT |
| BEAM ANGLE : | 15° | 15° |
| POWER : | 9 W | 11 W |
| LUMENS : | 310 lm | 387 lm |
| CBCP : | 2954 cd | 3692 cd |
| EFFICACY : | 34 lm/W | 37 lm/W |



| | | |
|---------------------|--------------------|--------------------|
| MODEL : | DDF3P-LM07E-302BWT | DDF3P-LM10E-302BWT |
| BEAM ANGLE : | 24° | 24° |
| POWER : | 9 W | 11 W |
| LUMENS : | 351 lm | 439 lm |
| CBCP : | 1654 cd | 2057 cd |
| EFFICACY : | 39 lm/W | 43 lm/W |



| | | |
|---------------------|--------------------|--------------------|
| MODEL : | DDF3P-LM07E-303BWT | DDF3P-LM10E-303BWT |
| BEAM ANGLE : | 36° | 36° |
| POWER : | 9 W | 11 W |
| LUMENS : | 401 lm | 502 lm |
| CBCP : | 1107 cd | 1384 cd |
| EFFICACY : | 45 lm/W | 49 lm/W |