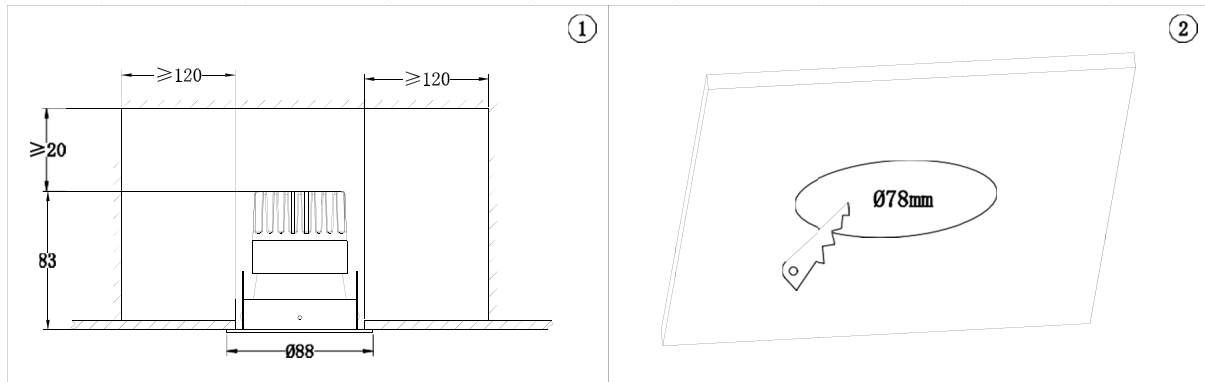


Installation Precautions:

1. Please read through the Instructions before installation.
2. The product should be installed by a professional electrician.
3. Make sure the power supply is cut off before installation and maintenance, to avoid the risk of electric shock.
4. The light can be recessed on the ceiling, where sufficient space must be reserved for installation. Do not cover the light with any thermal insulation or consumable articles to avoid fire hazards.
5. In case of cracking of glass, please replace it immediately.
6. Do not install the light on an unstable or unsolid skylight, to avoid falling off.
7. Please keep this Instruction properly for future reference.
8. The LED source in the light should be replaced by the manufacturer or its service agent or similarly qualified personnel.

Light Installation and Wiring:

1. Confirm there is sufficient space on the ceiling to install the light (unit: mm).
2. Cutout $\phi 78\text{mm}$ hole on the ceiling.



3. If the driver of the light comes with lead wires, and the leads need to be connected with an independent terminal block (refer to Figure 3 for wiring), the size of the terminal block for each line should not be less than 10x20x25mm.
4. Connect the power cord to the driver, insert the wire and driver into the ceiling. Use both thumbs, forefingers and middle fingers to press the springs towards the axis of the light until the springs enter the ceiling hole.
5. Hold the light with both hands and insert it into the ceiling hole until the light trim is flush with the ceiling surface.

