

Model:

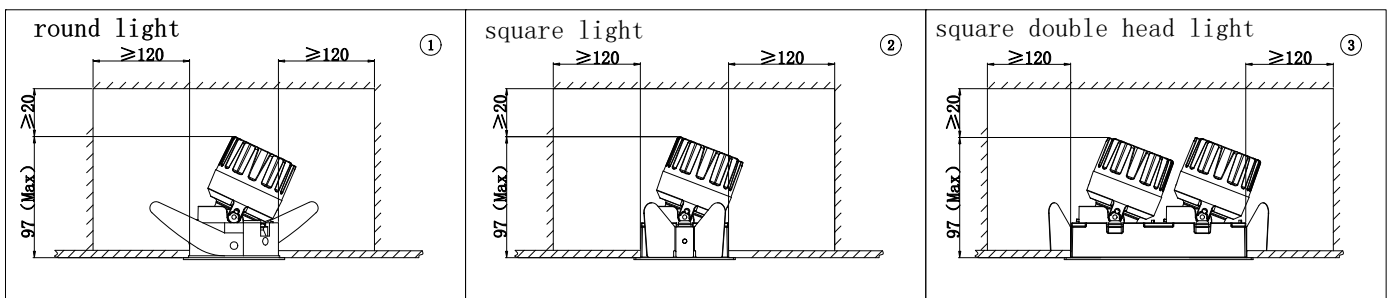
This installation manual is applicable to the ELANA PRO narrow edge Recessed Downlight series lamps, including DLH31 * (round), DLH35 * (square), MTH35 * (square double head), etc. The "*" includes information on different powers, control systems, color temperatures, face frames, and appearance colors of the lamps.

Installation Precautions:

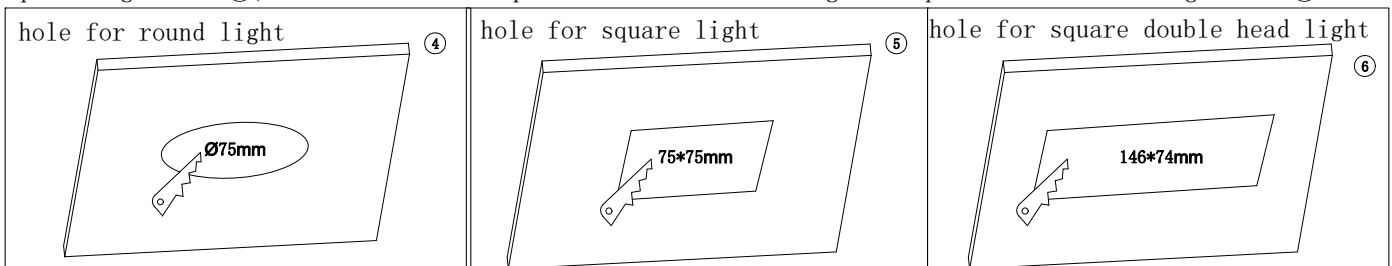
1. Please read through the Instructions before installation;
2. The product should be installed by a professional electrician;
3. Make sure the power supply is cut off before installation and maintenance, to avoid the risk of electric shock;
4. The light can be recessed on the ceiling, but do not cover the lights and bulbs with any thermal insulation or combustible materials to avoid fire hazards;
5. Do not install the light on an unstable or unsolid skylight, to avoid falling off;
6. Please keep this Instruction properly for future reference.

Light Installation and Wiring:

1. Confirm that there is sufficient space on the ceiling to install lighting fixtures, round light see①, square light see②, square double head light see③ (unit: mm).

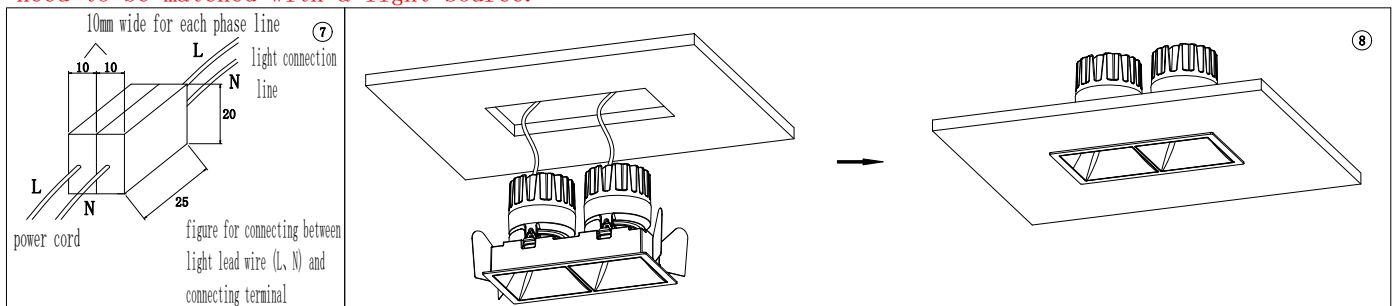


2. Cutoff ϕ 75mm circular hole on the ceiling, see④; Cutoff 75*75mm square hole on the ceiling for square light, see⑤; Cutoff 146*74mm square hole on the ceiling for square double head light, see⑥.



3. Installation for built-in electrical series light: If the light comes with its own lead wire, these lead wire needs to be connected to an independent connecting terminal (see figure⑦ for connecting wire), The size of each phase line wiring terminal socket should not be less than 10x20x25mm. After connecting the power cord to the driver, put the wires and drivers into the ceiling, use both thumbs, index and middle fingers to press the shrapnel towards the axis of the light until it enters the ceiling hole.

Installation of light without electrical appliances: The light have brown and blue lead wires, forbit directly connect to 220V AC power. Customer supply electrical appliances by their own, and the appliances need to be matched with a light source.



Licensed by "WAC" trademark holder - WAC LIGHTING, USA

Chinese Marketing

Headquarters

: WAC Lighting (Shanghai) Co, Ltd.

Address

: 4, Lane 299, Bi Sheng Road, Shanghai 201204, China

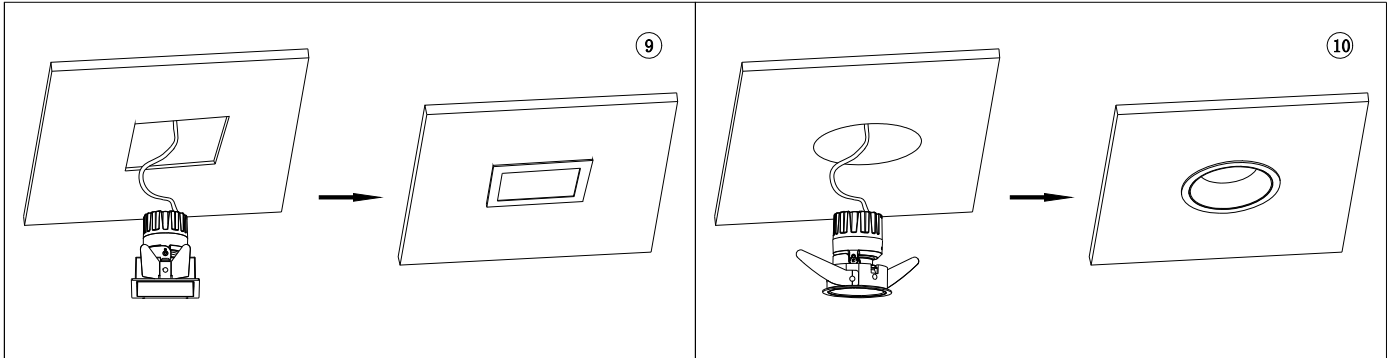
China factory

: Manufactured WAC Lighting (Dongguan) Co, Ltd.

Address

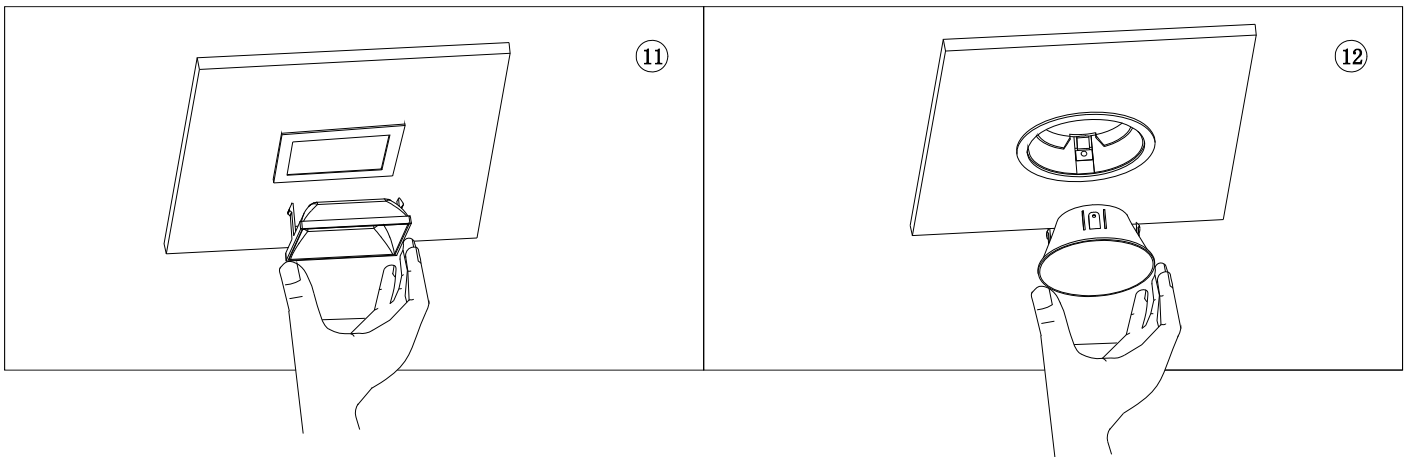
: 390, Qingfeng Road, Qingxi Town, Dngguan, Guangdong. Postal code: 523653

4. Support the light fixture with both hands and send it into the ceiling excavation hole, until the light fixture panel is flush with the ceiling surface, see ⑧⑨⑩.



Reflector installation and light fixture adjustment:

1. After aligning the reflective covers of square lights (including square double lights) and round lights with the locking positions, they can be directly inserted into the lamps by hand, Just tighten the buckle, see ⑪ ⑫.



2. The lighting fixture can be adjusted 360 degrees horizontally and 0-21 degrees vertically. The angle needs to be adjusted before installing the reflector cover.

- (1) From the light outlet of the lamp, the rotating frame can be seen upwards, and horizontal angle adjustment can be achieved with two fingers;
- (2). After adjusting the horizontal direction, use your index finger to adjust the angle and orientation of the lamp body, which can achieve an angle adjustment of 0-21 degrees;
- (3). After adjusting the angle, simply clip in the reflector cover and pay attention to the direction of installation of the reflector cover.

Model:

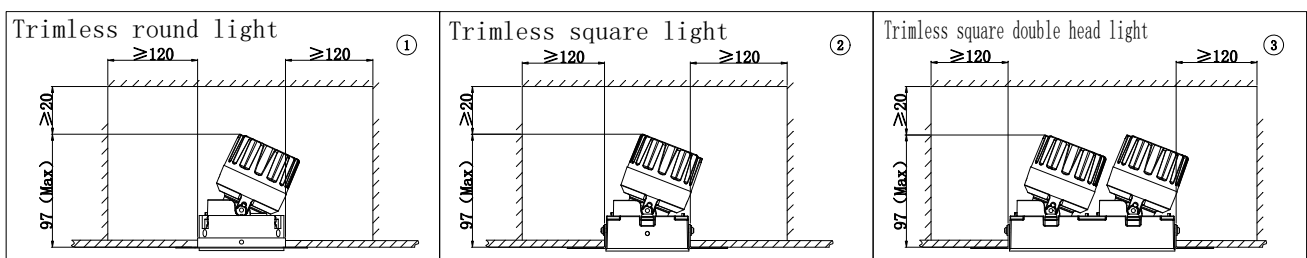
This installation manual is applicable to the ELANA PRO narrow edge Recessed Downlight series lamps, including DLH32* (round trimless), DLH36 * (square trimless), MTH36 * (square double head trimless), etc. The "*" includes information on different powers, control systems, color temperatures, face frames, and appearance colors of the lamps.

Installation Precautions:

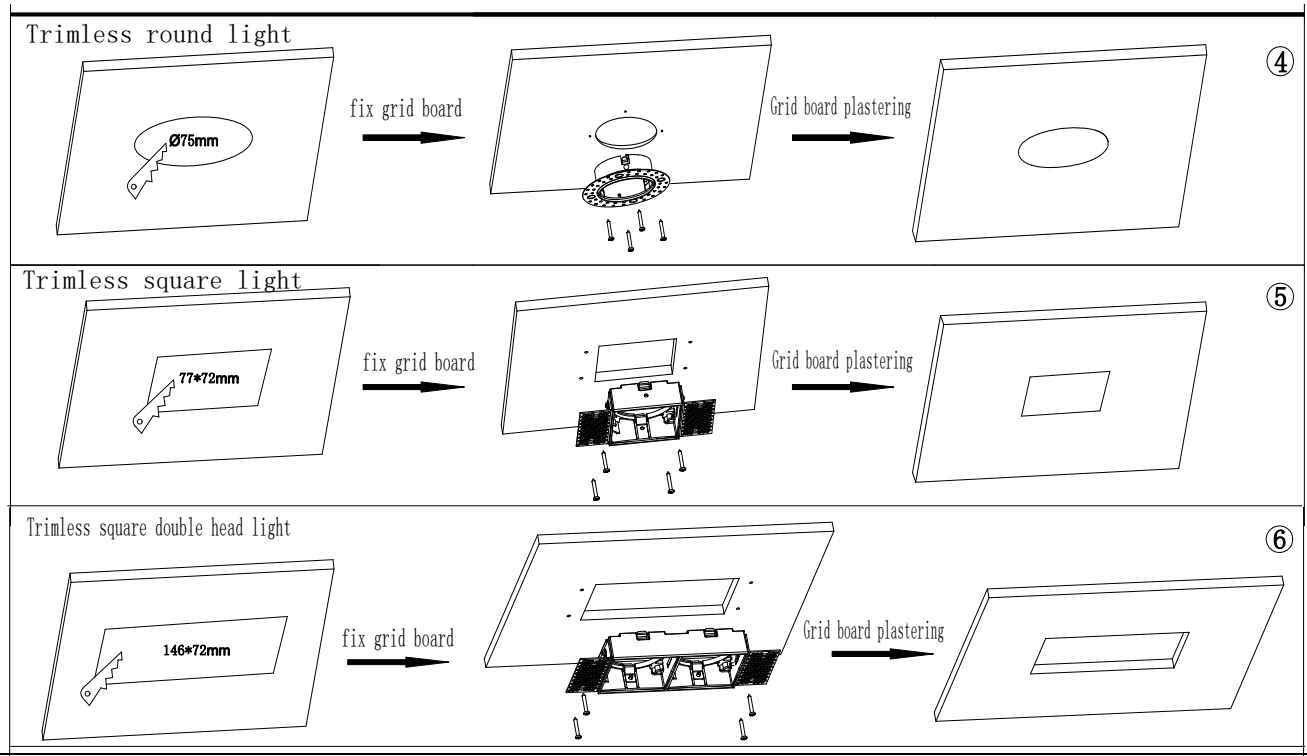
1. Please read through the Instructions before installation;
2. The product should be installed by a professional electrician;
3. Make sure the power supply is cut off before installation and maintenance, to avoid the risk of electric shock;
4. The light can be recessed on the ceiling, but do not cover the lights and bulbs with any thermal insulation or combustible materials to avoid fire hazards;
5. Do not install the light on an unstable or unsolid skylight, to avoid falling off;
6. Please keep this Instruction properly for future reference.

Light Installation and Wiring:

1. Confirm that there is sufficient space on the ceiling to install lighting fixtures, round light see①, square light see②, square double head light see③(unit: mm).



2. Cutoff ϕ 75mm circular hole on the ceiling for round light, insert 4 plastic anchors into the ceiling, lock the grid board onto the ceiling using self tapping screws, finally, use lime to smooth the area around the grid board, see④; Cutoff 77*72mm square hole on the ceiling for square light, the installation method of borderless grid board is the same, see⑤; Cutoff 146*72mm square hole on the ceiling for square double head light, the installation method of borderless grid board is the same, see⑥.



Licensed by "WAC" trademark holder - WAC LIGHTING, USA

Chinese Marketing

Headquarters

: WAC Lighting (Shanghai) Co, Ltd.

Address

: 4, Lane 299, Bi Sheng Road, Shanghai 201204, China

China factory

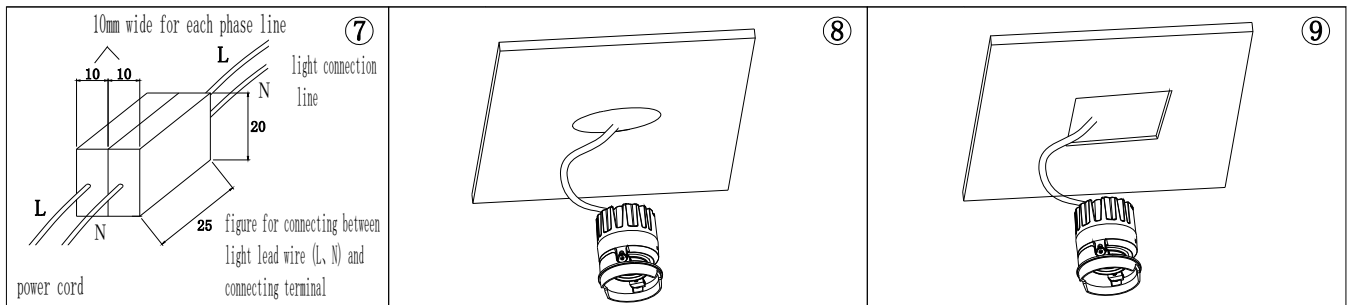
: Manufactured WAC Lighting (Dongguan) Co, Ltd.

Address

: 390, Qingfeng Road, Qingxi Town, Dngguan, Guangdong. Postal code: 523653

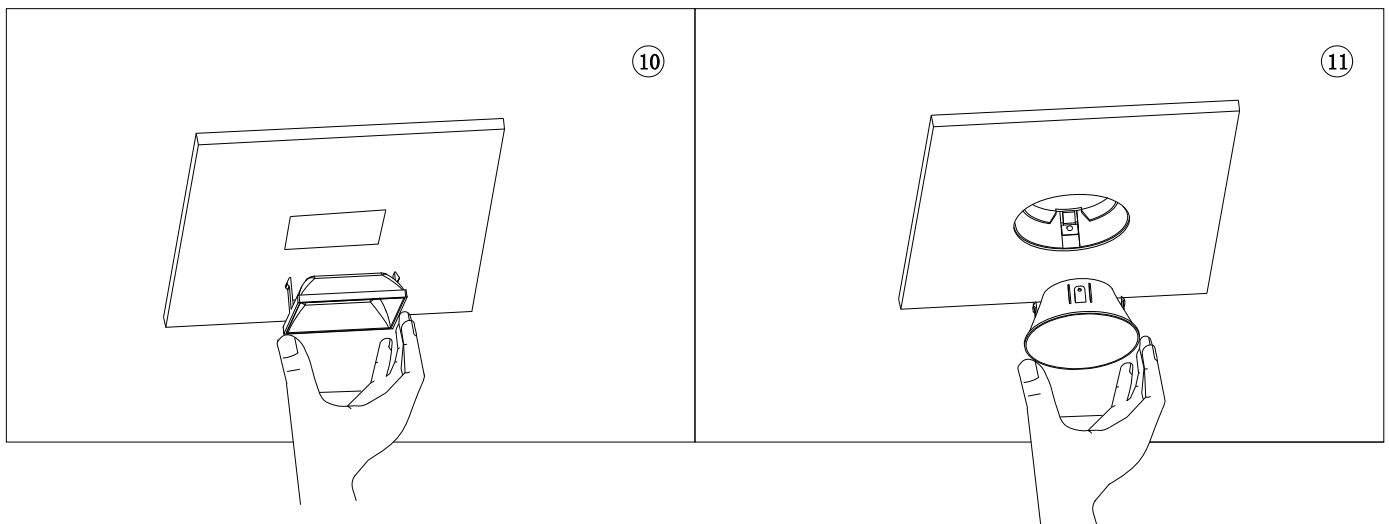
3. Installation for built-in electrical series light: If the light comes with its own lead wire, these lead wire needs to be connected to an independent connecting terminal (see figure ⑦ for connecting wire), The size of each phase line wiring terminal socket should not be less than 10x20x25mm. After connecting the power cord to the driver, put the wires and drivers into the ceiling, round light see figure ⑧, square light (include square double head light see figure ⑨); Until the lamp body is clamped tightly by the shrapnel on the embedded frame.

Installation of light without electrical appliances: The light have brown and blue lead wires, for it directly connect to 220V AC power. Customer supply electrical appliances by their own, and the appliances need to be matched with a light source.



Reflector installation and light fixture adjustment:

1. After aligning the reflective covers of square lights (including square double lights) and round lights with the locking positions, they can be directly inserted into the lamps by hand, Just tighten the buckle, see ⑩ ⑪



2. The lighting fixture can be adjusted 360 degrees horizontally and 0-21 degrees vertically. The angle needs to be adjusted before installing the reflector cover.

- (1) From the light outlet of the lamp, the rotating frame can be seen upwards, and horizontal angle adjustment can be achieved with two fingers;
- (2). After adjusting the horizontal direction, use your index finger to adjust the angle and orientation of the lamp body, which can achieve an angle adjustment of 0-21 degrees;
- (3). After adjusting the angle, simply clip in the reflector cover and pay attention to the direction of installation of the reflector cover.