

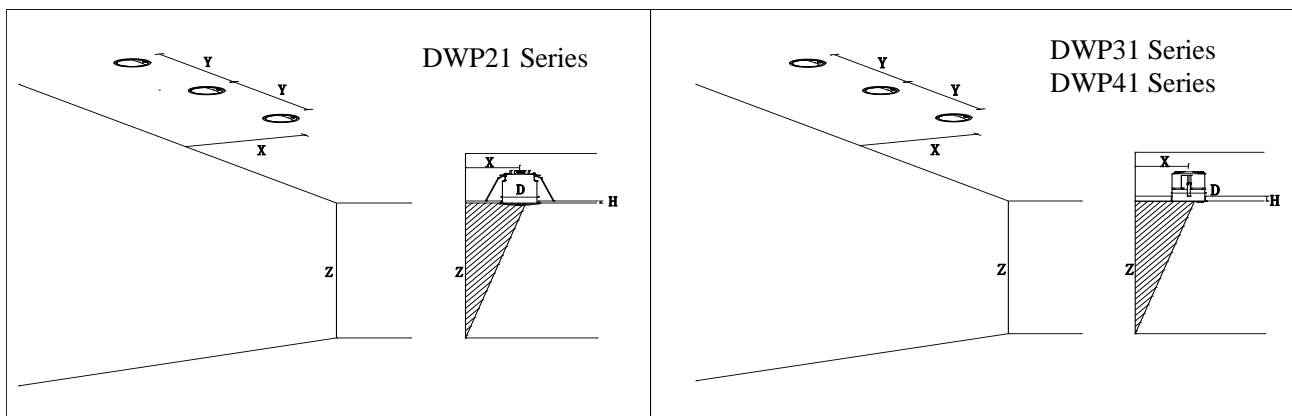
Installation Precautions:

1. Please read through the Instructions before installation.
2. The product should be installed by a professional electrician.
3. Make sure the power supply is cut off before installation and maintenance, to avoid the risk of electric shock.
4. The light can be recessed on the ceiling, where sufficient space must be reserved for installation. Do not cover the light with any thermal insulation or consumable articles to avoid fire hazards.
5. In case of cracking of glass, please replace it immediately.
6. Do not install the light on an unstable or unsolid skylight, to avoid falling off.
7. Please keep this Instruction properly for future reference.

Light Installation and Wiring:

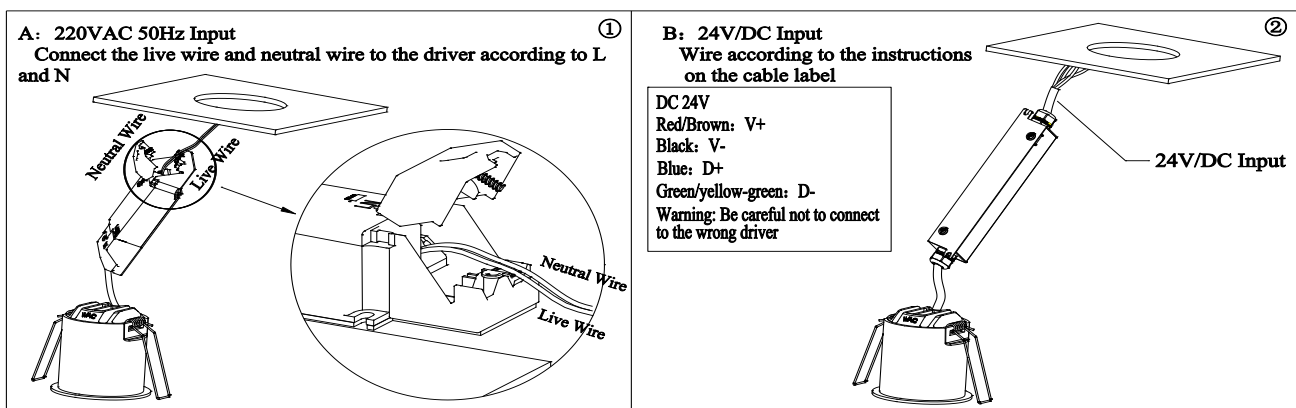
1. Installation parameters:

Model	X Max	Y	Z	D(Ceiling Cutout)	H(Ceiling Thickness)
DWP21*	1m	$\leq X$	$\leq 3X$	63mm	1 ~ 25mm
DWP31*	1.5m	$\leq X$	$\leq 3X$	93mm	1 ~ 25mm
DWP41*	2m	$\leq X$	$\leq 3X$	116mm	1 ~ 25mm

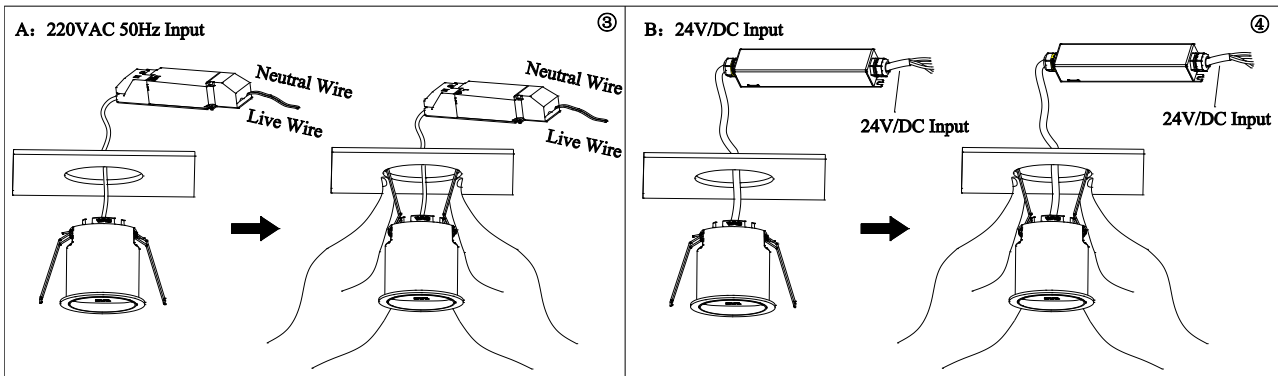


2. DWP21* Installation

- (1) Two types: 220VAC input and 24V/DC input, note that the corresponding voltage connection operation according to the figure 1 and 2 below;

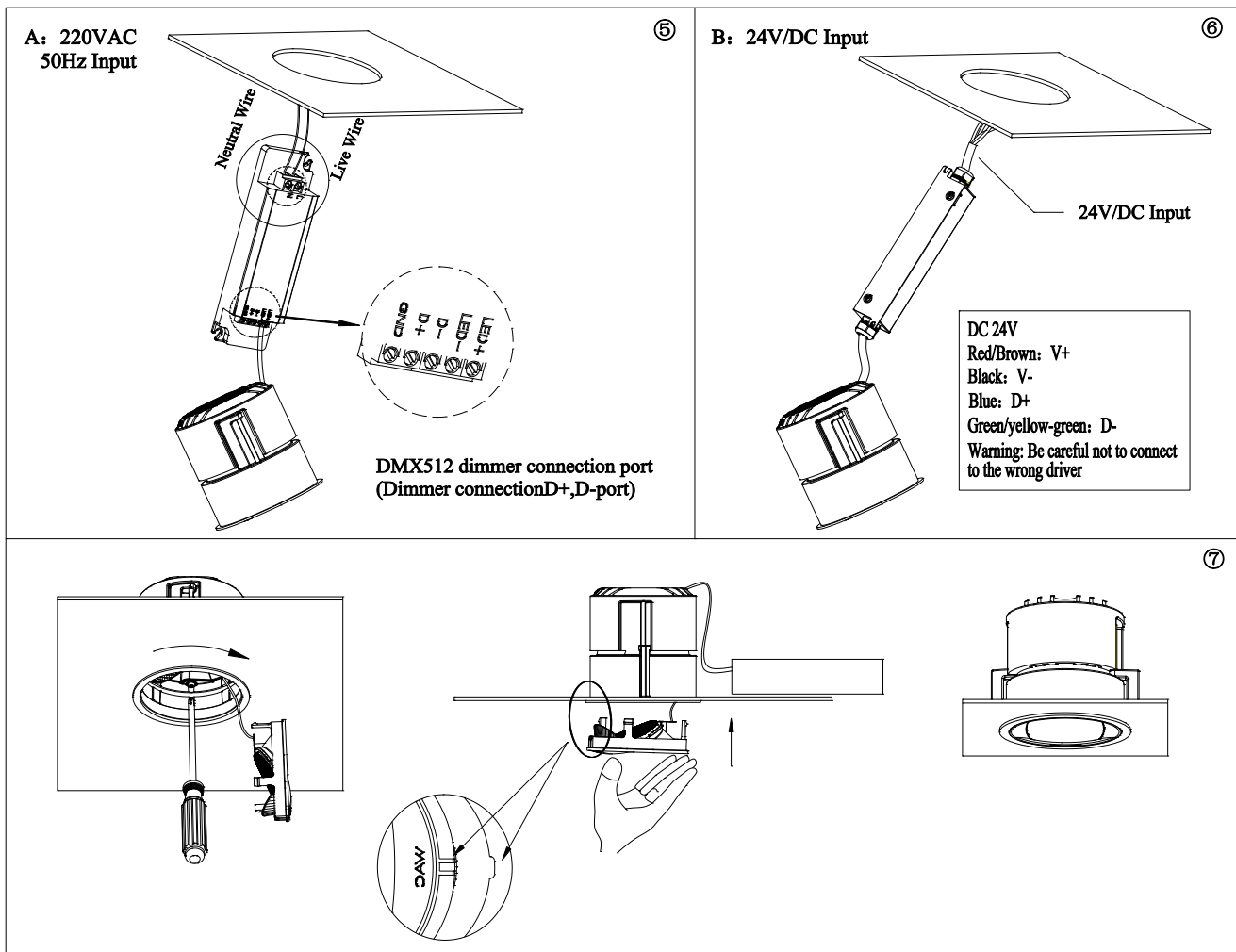


- (2) Put the control assembly into the ceiling, and then break the spring into the ceiling, as shown below figure 3 and 4, the installation is complete.
- (3) If the lamp is DMX512 dimming, refer to the following figure 5 and 6.



3.DWP31*、DWP41* Installation

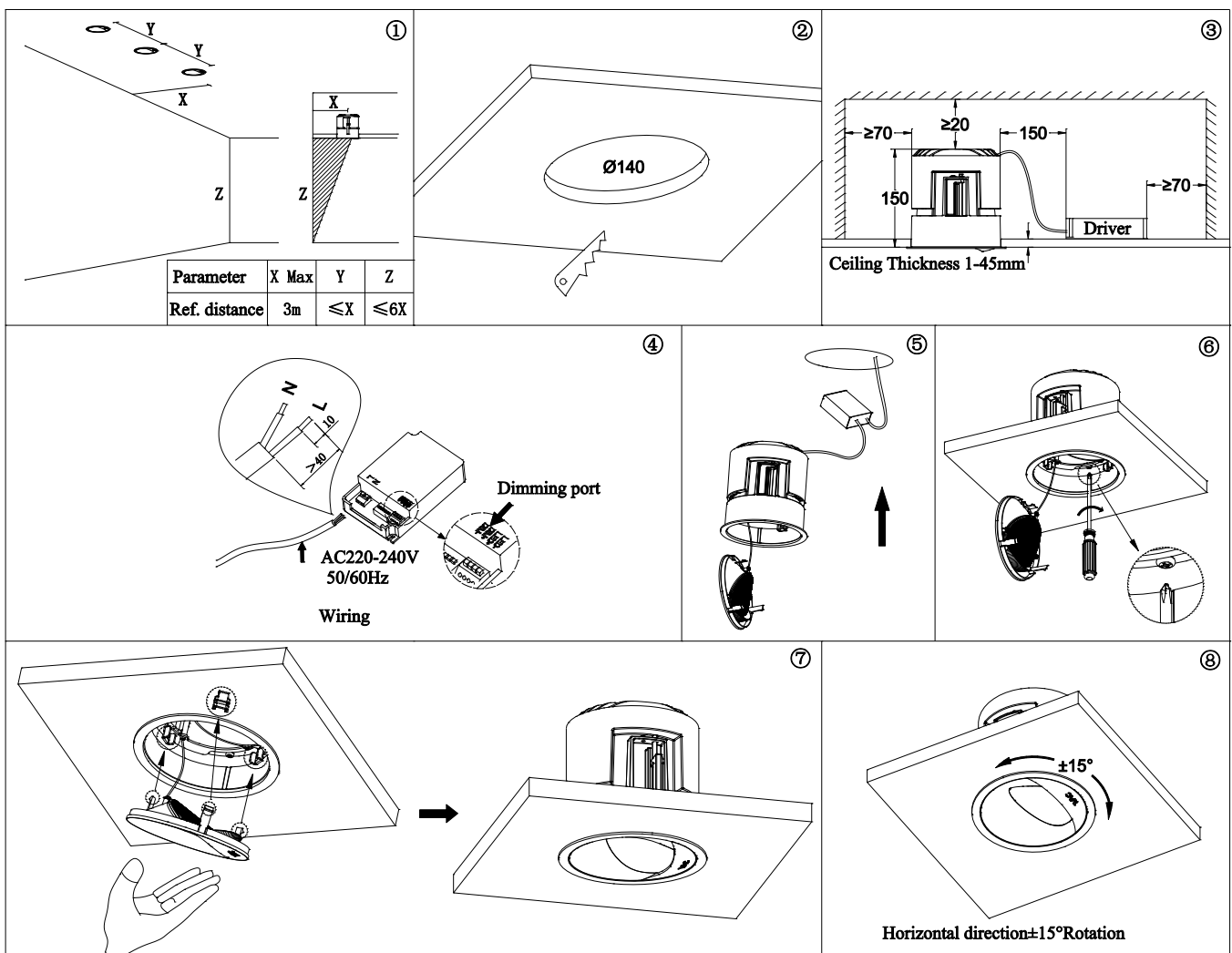
- (1) Connect the power cable and dimmer cable according to the figure 5;
- (2) Put the driver into the ceiling after the test according to the figure 6;
- (3) Hold the light fixture against the ceiling and turn the mounting screws clockwise using a screwdriver or electric screwdriver until the bracket snaps into the ceiling according to the figure 7;
- (4) Align the reflector ribs with the heat sink slots and snap the reflector into the lamp body according to the figure 7.



Installation Precautions:

1. Please read through the Instructions before installation.
2. The product should be installed by a professional electrician.
3. Make sure the power supply is cut off before installation and maintenance, to avoid the risk of electric shock.
4. The light can be recessed on the ceiling, where sufficient space must be reserved for installation. Do not cover the light with any thermal insulation or consumable articles to avoid fire hazards.
5. In case of cracking of glass, please replace it immediately.
6. Do not install the light on an unstable or unsolid skylight, to avoid falling off.
7. Please keep this Instruction properly for future reference.

Light Installation and Wiring:



- * If the driver of the light comes with lead wires, Connect the input wires according to the wiring diagram on the driver according to the figure 4.
- * Light without driver comes with brown and blue lead wires, and it cannot be directly connected to 220V AC. Customer-provided driver shall match the specification of LED source.