

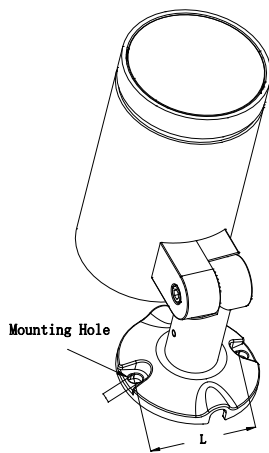
## Installation Statement:

1. Please read the instruction manual carefully before installation;
2. Please have a professional electrician install it;
3. To avoid the risk of electric shock, please confirm to turn off the power before installation and maintenance;
4. The installation of lighting fixtures must comply with the corresponding local laws and regulations;
5. Suitable for indoor and outdoor installation and use;
6. Keep the instruction manual for reference only.

**Attention: All installation, replacement, or maintenance operations must be powered off before proceeding!**

### 1. Installation of lighting fixtures:

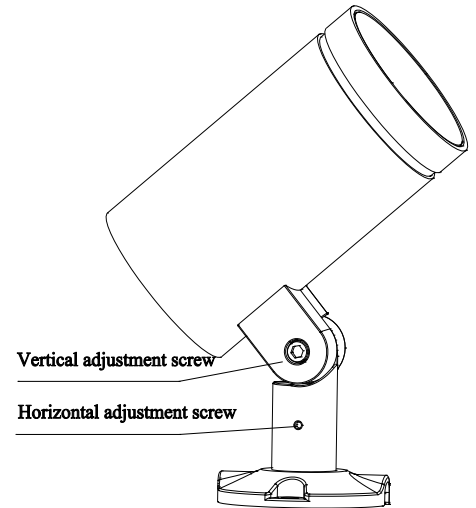
1. Fix the lamp with a suitable expansion bolt (M6) through the installation hole shown in the diagram
2. Adjustment of lamp illumination angle: Use a hex wrench to adjust the screw and turn the lamp to the desired angle (adjustable 30 degrees in the front and 90 degrees in the back vertical direction)



| TYPE             | BASE HOLE SIZE (D) | BASE HOLE DISTANCE (L) |
|------------------|--------------------|------------------------|
| EP9NI*<br>EP9SI* | 6.5mm              | 65mm                   |
| EP9MI*<br>EP9LI* | 6.5mm              | 105mm                  |

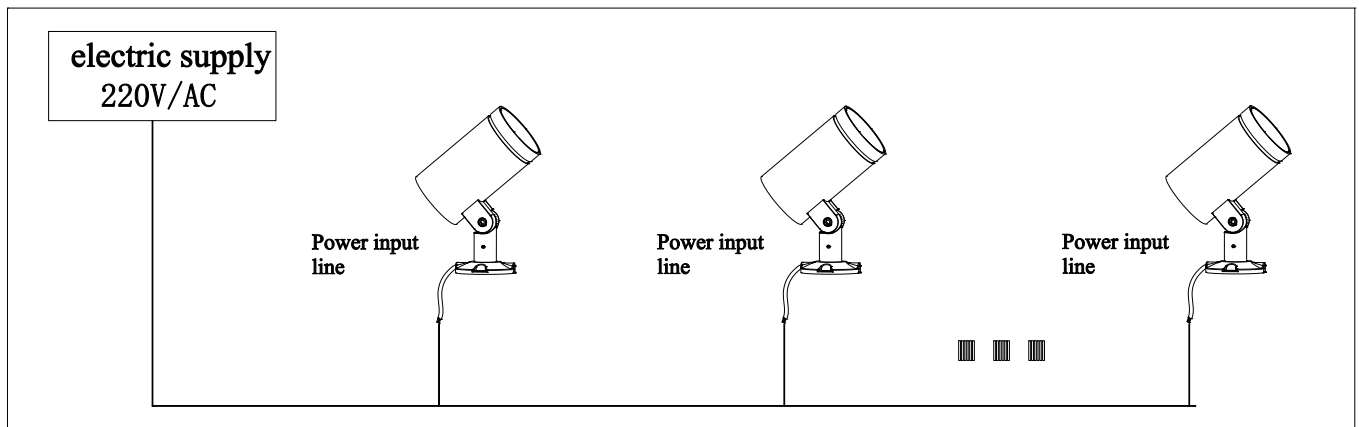


M6 expansion screw size reference diagram

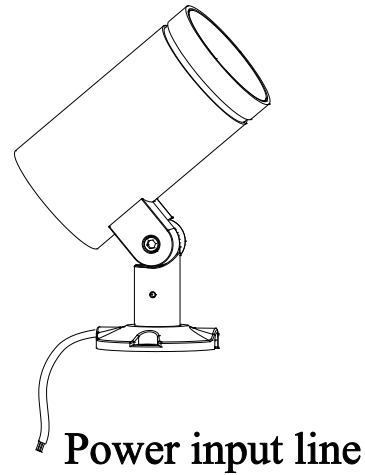
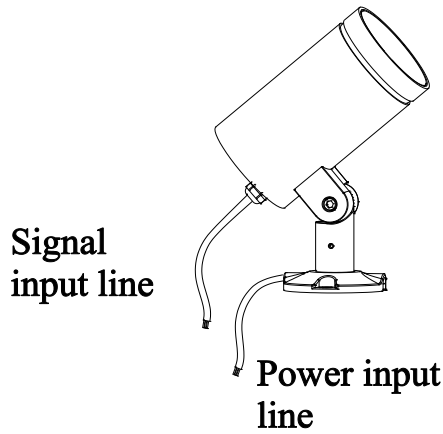


### 2. Wiring and control adjustment

1. The power input is AC220V, and the product is a non dimming version wiring diagram  
Identification on the power input line label: live wire L, neutral wire N, ground wire ⊕



2. The power input is AC220V, DC24V, or DC48V, and the product is DMX512 dimming lamp wiring method



DMX512 signal line marking sticker

Yellow green line: signal ground wire

Red line: positive input for the DMA signal

Black line: Negative input for the DMA signal

Power input line label

Yellow green line: Gnd ground wire

Live Line: L

Zero line: N

DC24V or 48V DMX512 power input line label

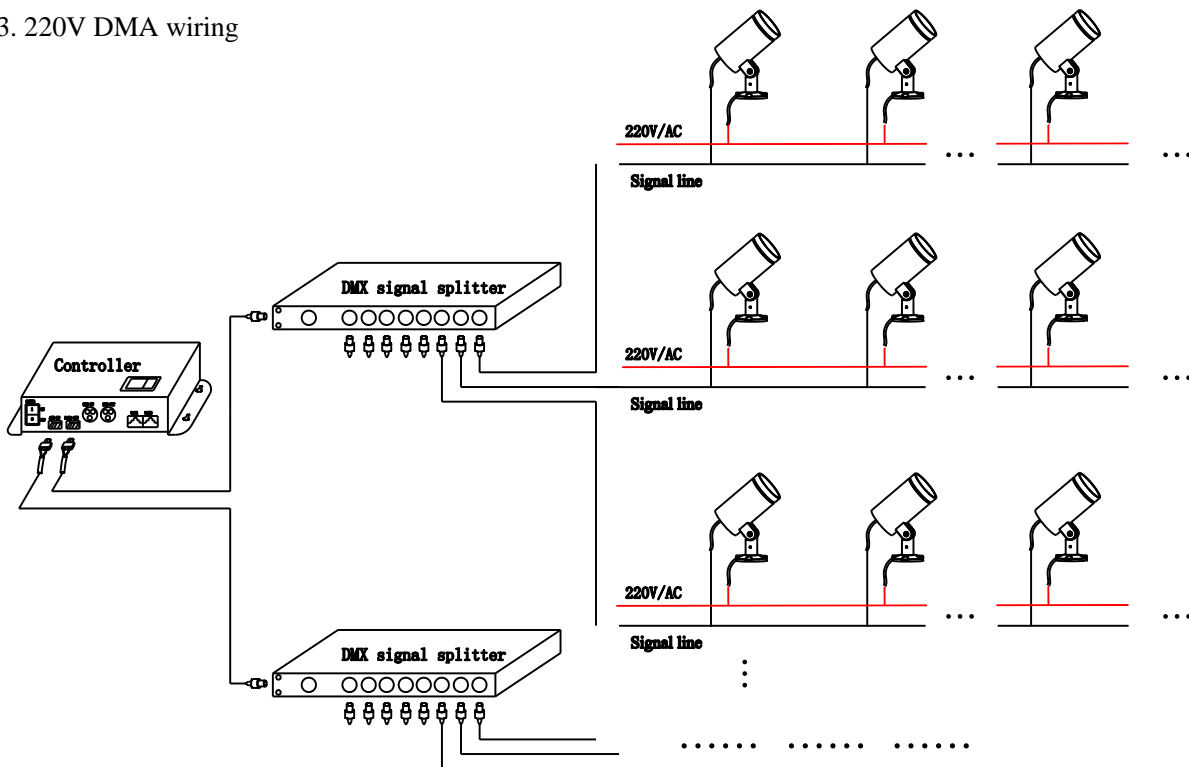
Brown wire: DC24+or DC48+

Black line: DC24- or DC48-

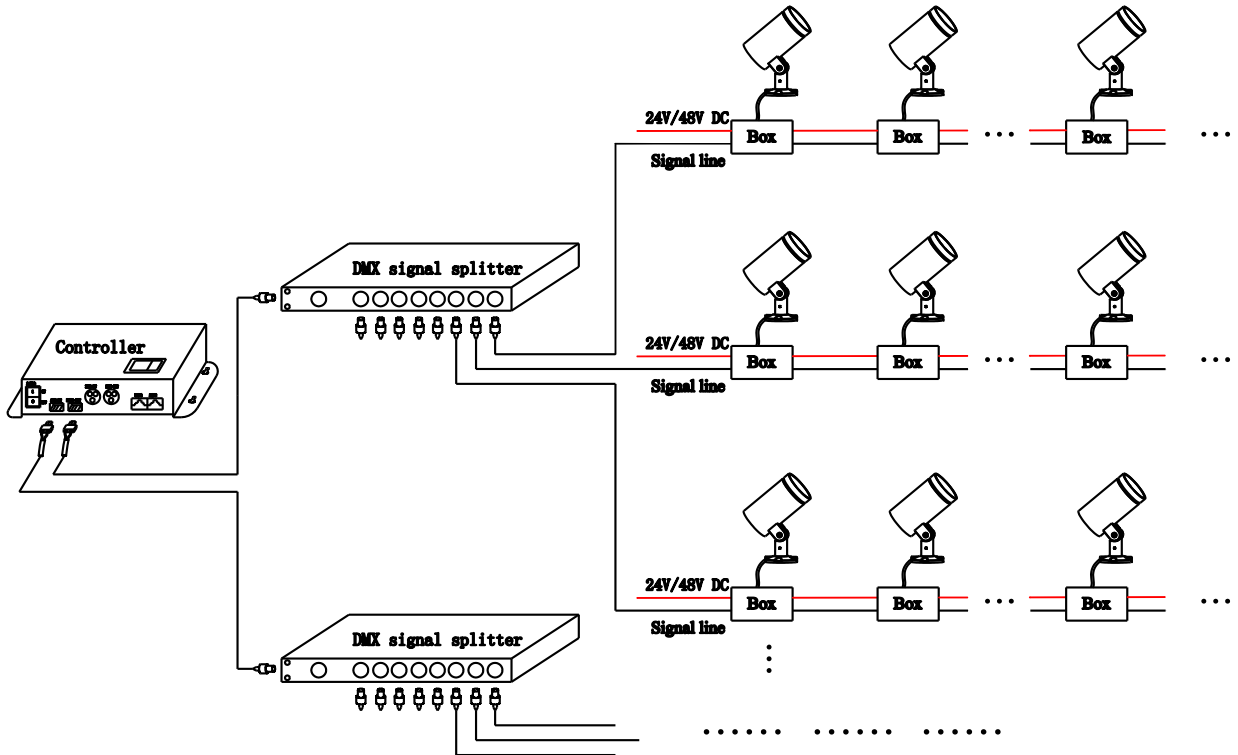
Blue line: DMA signal+

Yellow green line: DMA signal-

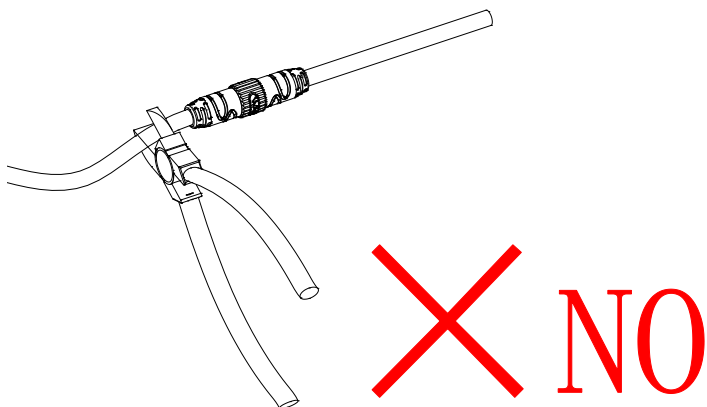
3. 220V DMA wiring



## 4.24V/48V DMA wiring



5. Processing of power cord connectors; The anti siphon joint is a part of the waterproof reliability of the lighting fixture, and the wiring cannot be cut off



Licensed by "WAC" trademark holder - WAC LIGHTING, USA

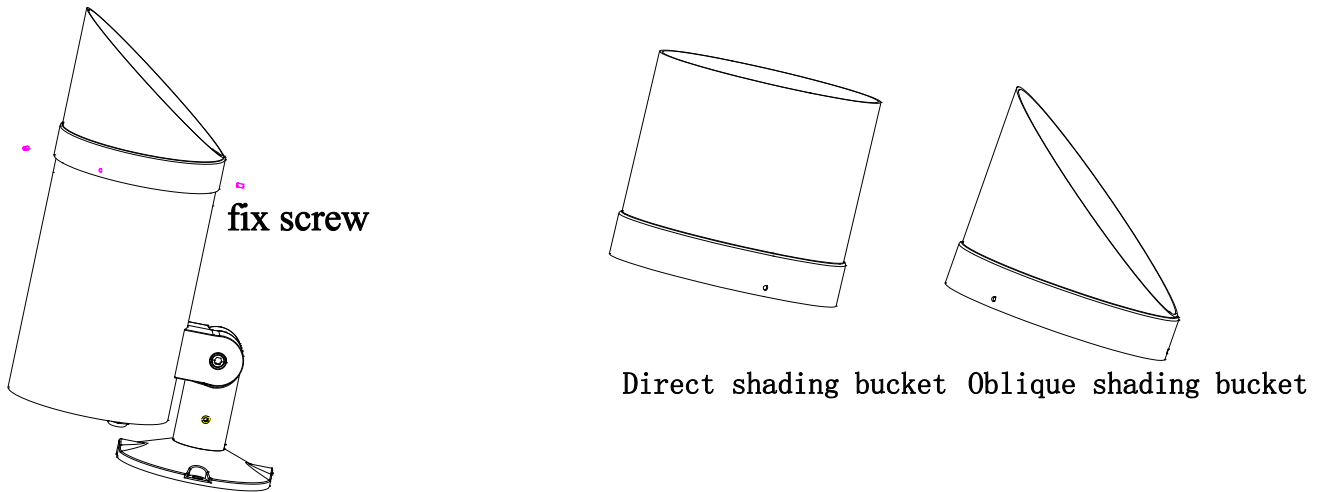
|                                |  |
|--------------------------------|--|
| Chinese Marketing Headquarters | : WAC Lighting (Shanghai) Co, Ltd.   |
| Address                        | : 14, Lane 299, Bi Sheng Road, Shanghai 201204, China                      |
| China factory                  | : Manufactured WAC Lighting (Dongguan) Co, Ltd.                            |
| Address                        | : 390, Qingfeng Road, Qingxi Town, Dngguan, Guangdong. Postal code: 523653 |

Attention points:

- a: Connect the power input line of each lighting fixture, and waterproof treatment should be done at the wire connection;
- b: The lighting fixtures can be connected together through signal wires, and it is recommended that there are no more than 10 lighting fixtures carried by each DMA signal amplifier;
- c: The anti siphon joint of the power input line and signal input line is a part of the waterproof reliability of the lamp, and the wiring cannot be cut off;

3. Installation of shading accessories (customers can choose according to their needs)

1. Place the sunshade on the lamp body, adjust it to the desired direction, and tighten the fixing screws



Notes:

1. Cable not included, waterproof 4-core cable with a diameter of  $\phi 5$ -  $\phi 9$ mm (markings on the connector: brown wire DC+, black wire DC -, blue wire DMA signal+, yellow green wire DMA signal -); DC24V/48V version;
2. Cable not included, waterproof 3-core cable with a diameter of  $\phi 5$ -  $\phi 9$ mm (markings on the connector: live wire L, neutral wire N, ground wire);
3. If damage is found to the glass protective cover during installation, it must be replaced. Customers can only use the glass protective cover provided by our company;
4. The anti siphon joint of the power input line and signal input line is a part of the waterproof reliability of the lamp, and the wiring cannot be cu

Licensed by "WAC" trademark holder - WAC LIGHTING, USA

|                                |  |
|--------------------------------|--|
| Chinese Marketing Headquarters | : WAC Lighting (Shanghai) Co, Ltd.   |
| Address                        | : 14, Lane 299, Bi Sheng Road, Shanghai 201204, China                      |
| China factory                  | : Manufactured WAC Lighting (Dongguan) Co, Ltd.                            |
| Address                        | : 390, Qingfeng Road, Qingxi Town, Dngguan, Guangdong. Postal code: 523653 |