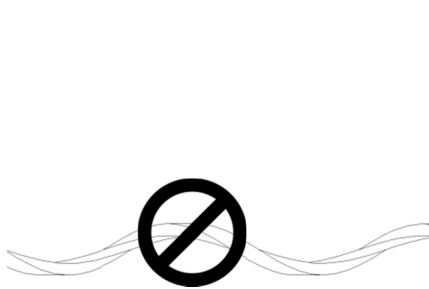
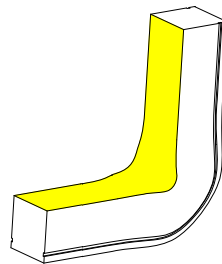


Installation Precautions:

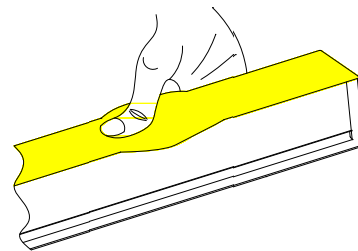
1. Before installation, please read all instructions and carefully read the installation precautions;
2. Although this product is a low-voltage product, please do not let children play with it;
3. The ambient temperature for the use of LED strips is $-20\text{ }^{\circ}\text{C}\sim 50\text{ }^{\circ}\text{C}$;
4. Before installation, please be sure to turn off the power to prevent damage to the light strip;
5. When using the matching DC power supply, it is necessary to confirm the actual power consumption of the light strip, and then choose to use the corresponding power supply driver;
6. During the installation process, please pay attention to the polarity of the wiring and the working voltage requirements of the light strip;
7. The actual total power of the light strip cannot exceed 80% of the power of the connected power source;
8. It is recommended to connect the light strip in series with a total power of 80W, and the maximum power should not exceed 100W, otherwise the brightness difference between the head and tail will be more significant;
9. During use, it is necessary to ensure that there is no cover of flammable and explosive materials;
10. RGBW four color DMA control products, please avoid long-term operation at full power with all four colors on, otherwise it may lead to a decrease in the lifespan of the lamp, and there is no risk in normal mode;
11. If an additional power supply line is required between the driver power supply and the light strip, it is recommended that the wire diameter be no less than 2.5 square meters, and the length of the additional line should not exceed 20 meters.



It is strictly prohibited to twist the light strip in a graphical manner



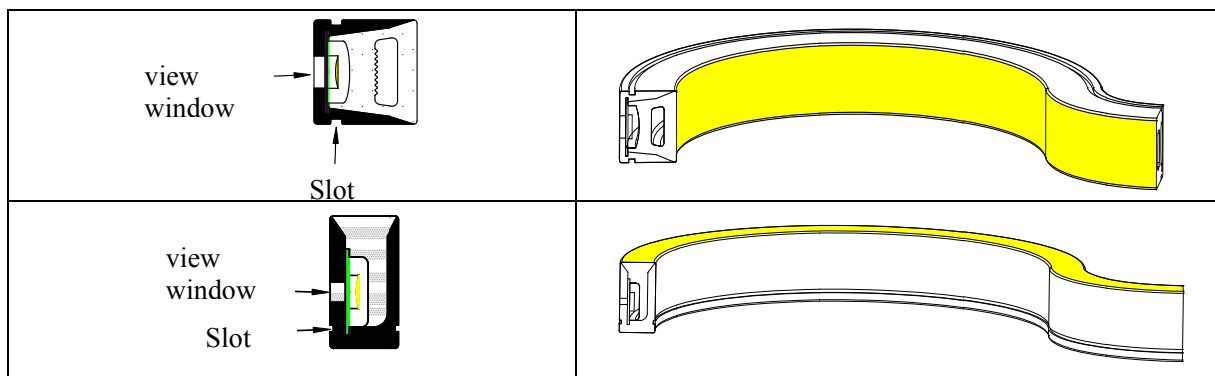
Strictly prohibit right angle folding light strips



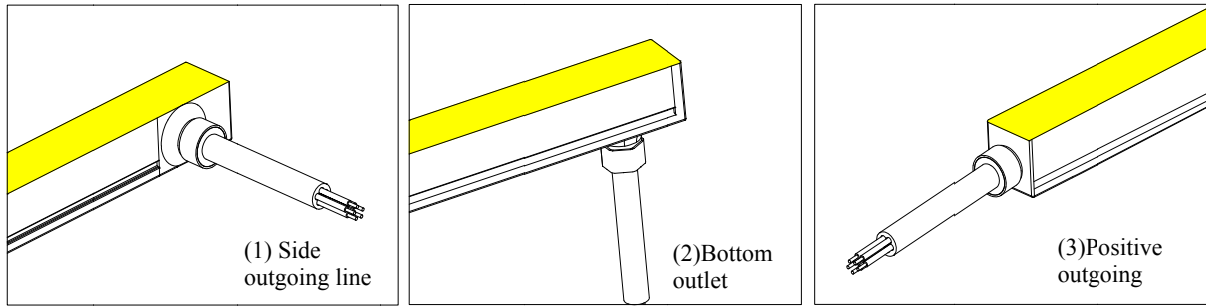
It is strictly prohibited to forcefully squeeze the light strip

Lamp strip bending method and wiring diagram:

1. Bending method of light strip: The bending direction of the light strip is perpendicular to the observation window (suitable for any cross-sectional size of light strips. If you need to roll up and store the light strip, please place the observation window on the outside and roll it up)

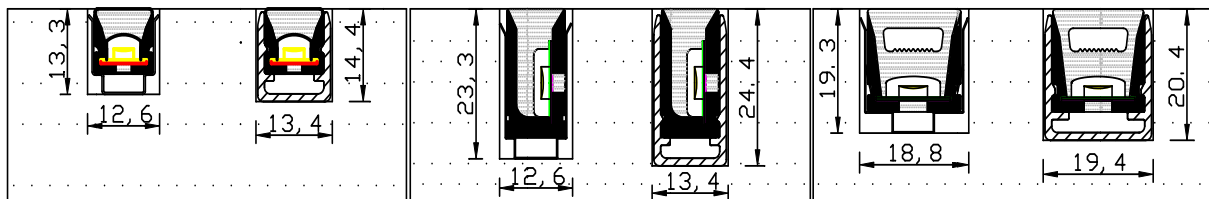


2. Schematic diagram of light strip wiring method (taking 1616 light strip as an example):



Light strip installation (optional aluminum groove installation, buckle installation):

The following figure shows the recommended slot size. Please choose the corresponding slot size based on the cross-sectional size of different light strips.



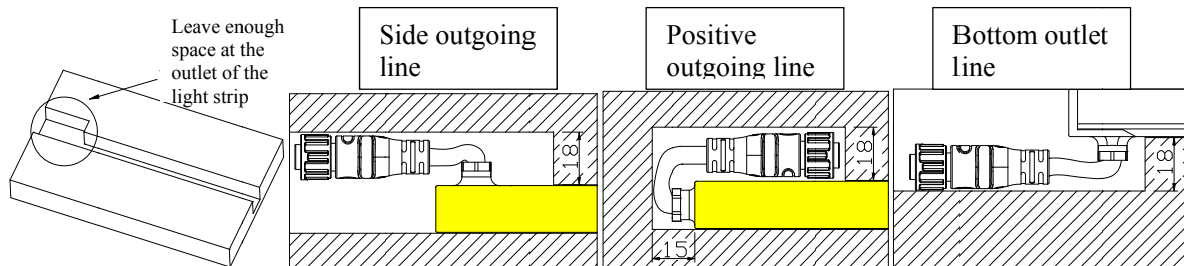
① 1010 installation of light strip buckle and aluminum groove installation

② 1020 installation of light strip buckle and aluminum groove installation

③ 1616 installation of light strip buckle and aluminum groove installation

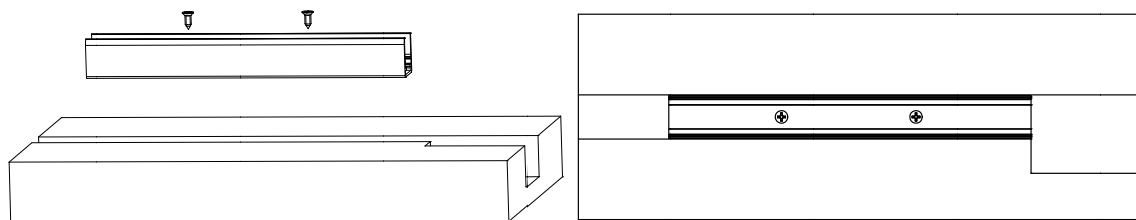
Attention: The size of the non joint groove is for reference only, and the actual groove size is subject to the on-site installation profile size.

Slotting at the installation site (surface installation does not require slotting): The minimum width dimension at the outlet of the light strip is shown in the figure below. If it is smaller than the size shown in the figure, the connector wire cannot be placed.

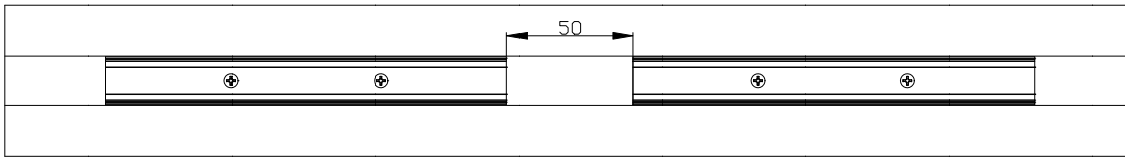


(1) Installation using aluminum grooves:

① Place the aluminum groove flat inside the groove and secure it with the standard screws (the aluminum groove is compatible with salad head and round head screws).

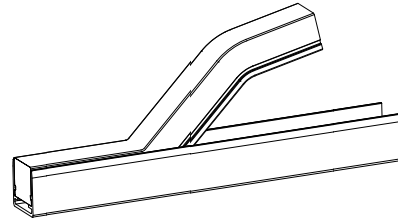
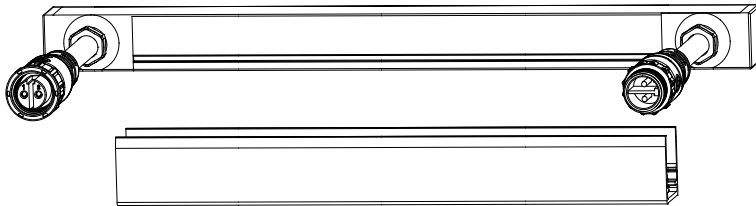


A gap of 50mm should be ensured between the aluminum slots at the joint of the light strip to ensure that the light strip can be placed.



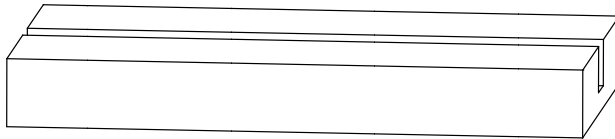
② Lay the light strip flat and press it into the aluminum groove. It is recommended to install the light strip 2 meters or more by two or more people

Do not press the aluminum groove in one direction according to the diagram, as it may cause unevenness or damage to the light strip

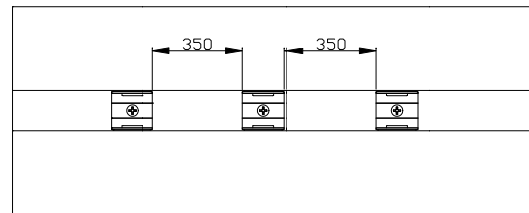


(2) Installation using buckles:

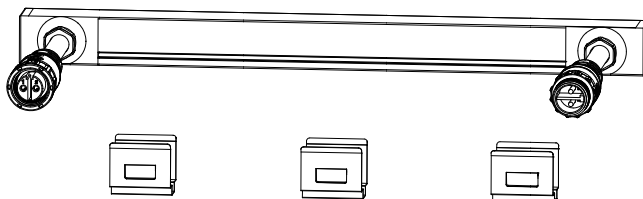
① Install the buckles evenly into the grooves using screws, with a maximum of 3 buckles standard for light strips below 1 meter



② When installing light strips with a length greater than 1 meter, it is recommended to have a clip spacing of 350 millimeters, and adjust the position of the first and last clips according to actual needs



③ Lay the light strip flat and press it into the buckle. It is recommended to install the light strip 2 meters or more by two or more people



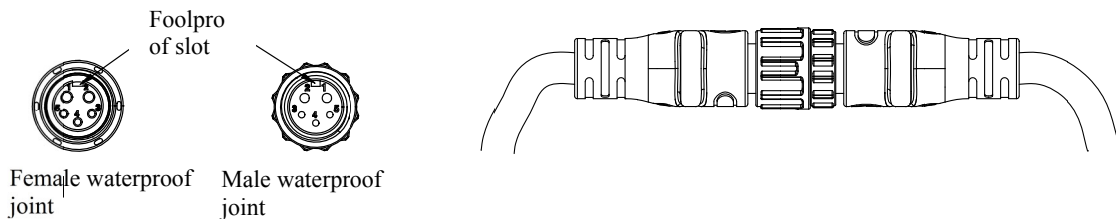
After the light strip is pressed into the buckle, it is prohibited to pull the light strip to prevent it from breaking the skin and losing its waterproof function



Light strip wiring:

1. Connect waterproof joints

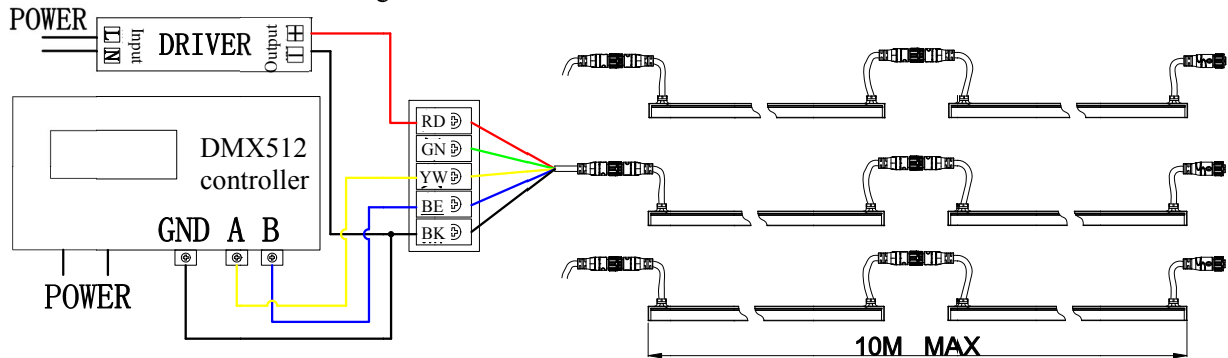
Align the anti fooling protrusion on the male end and the anti fooling groove on the female end of the waterproof joint, and then screw it on. The screw cap should be tightened to the position shown in the figure, otherwise there is a risk of water ingress. After the waterproof joint is connected, place it into the reserved slot.



2. Schematic diagram of the polarity of the dimmable light strip and the wiring of the DMA controller:

Wiring comparison table		
Wire color	polarity	Function Description
Red	DC24V+	DC24V+positive pole
Green	PI	When splicing, the Pout of the front light strip is connected to the Pin of the rear light strip, and the Pin of the signal head light position is not connected.
Yellow	A+	Console signal cable+
Blue	B-	Console signal cable-
Black	GND	DC24V negative pole

The light strips can be used in parallel according to needs. When used in series, the length of the light strips should not exceed 10 meters, and when the length reaches 8 meters or more, power supply is required from both ends to ensure consistent brightness:



Schematic diagram of light strip wiring