

# SILO WALL WASHER - MODEL: JL15WLM

J Track Luminaires

# WAC

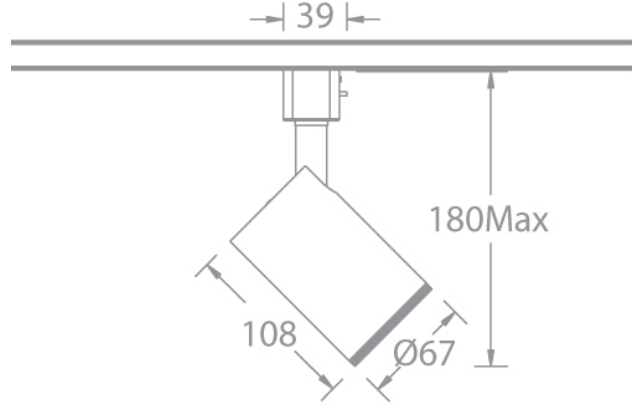
PROJECT :

TYPE :

Product Image



Line Drawing



## Product Description

The SILO Wall Washer (WW) series LED track spotlights are suitable for J single circuit track systems, with a delicate design and no visible heat sink. The lamp body is made of die-cast aluminum, with built-in flicker free driving appliances and a COB luminous module, providing a variety of standard color temperature options. They have excellent wall washing lighting and excellent color rendering performance, and are widely used in museums, art galleries, commercial spaces, hotels, retail and other places..

### Product Features

- Body Material : Aluminum alloy die-casting
- Optical System : Doublet lens
- Finish : Static electricity powder coating
- Adjustable Angle: level 0°-355° ; vertical 0~90°
- Accessories : Light shield
- Certification : CCC
- IP Rating : IP20
- Insulation Level : Class I
- Operating Temperature : -20°C~40°C
- Net Weight : 0.5Kg without packing

### Product Specifications

- LED Type : COB
- LED power : 6W or 12W
- Source LM : 2700K : 760lm (6W) / 1260lm (12W)  
3000K : 800lm (6W) / 1330lm (12W)  
4000K : 850lm (6W) / 1410lm (12W)  
5000K : 860lm (6W) / 1420lm (12W)
- LED Lifetime : >50000h-L70 / B10-Ta25°C(LM-80/TM-21)
- CCT/CRI : 2700K / 3000K / 4000K / 5000K , >Ra90
- SDCM : 3 SDCM
- Input : 220V~240V AC / 50Hz
- Dimming : Built knob dimming ( dimming range10%-100% )

### Order model

Model	LED	Dimming	Beam	CRI	CCT	Finish
<b>JL15W</b> SILO WW	<b>LM06</b> COB 6W	<b>O</b> On-board	<b>W</b> Washer	<b>9</b> 90	<b>27</b> 2700K	<b>WT</b> White <b>BK</b> Black
	<b>LM12</b> COB 12W				<b>30</b> 3000K	
					<b>40</b> 4000K	
					<b>50</b> 5000K	
JL15W	LM12	O	W	9	30	WT

Example : JL15WLM12-O-W930WT

# SILO WALL WASHER - MODEL: JL15WLM

J Track Luminaires

# WAC

PROJECT :

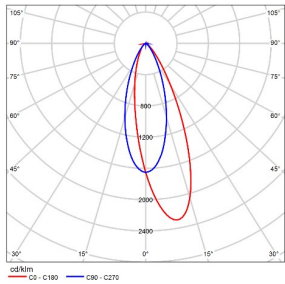
TYPE :

## Accessory

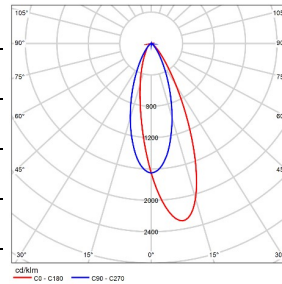
Leaf shading plate  
TL-21-BD-SW



## LIGHT DISTRIBUTION@3000K LUMINAIRE DATA



**MODEL :** JL15WLM06-O-W930  
**BEAM ANGLE :** WALL WASHING  
**POWER :** 8W  
**LUMENS :** 519lm  
**CBCP :** /  
**EFFICACY :** 65lm/W



**MODEL :** JL15WLM12-O-W930  
**BEAM ANGLE :** WALL WASHING  
**POWER :** 15W  
**LUMENS :** 822lm  
**CBCP :** /  
**EFFICACY :** 55lm/W

# SILO WALL WASHER - MODEL: JL16WLM

J Track Luminaires



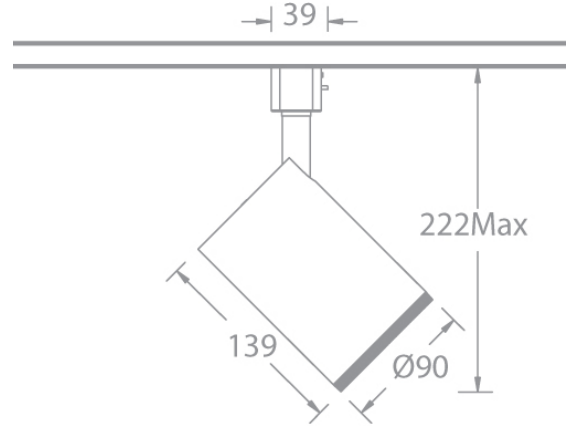
PROJECT :

TYPE :

Product Image



Line Drawing



## Product Description

The SILO Wall Washer (WW) series LED track spotlights are suitable for J single circuit track systems, with a delicate design and no visible heat sink. The lamp body is made of die-cast aluminum, with built-in flicker free driving appliances and a COB luminous module, providing a variety of standard color temperature options. They have excellent wall washing lighting and excellent color rendering performance, and are widely used in museums, art galleries, commercial spaces, hotels, retail and other places.

### Product Features

- Body Material : Aluminum alloy die-casting
- Optical System : Doublet lens
- Finish : Static electricity powder coating
- Adjustable Angle: level 0°-355° vertical 0-90°
- Accessories : Light shield
- Certification : CCC
- IP Rating : IP20
- Insulation Level : Class I
- Operating Temperature : -20°C~40°C
- Net Weight : 1.0Kg without packing

### Product Specifications

- LED Type : COB
- LED power : 18W or 26W
- Source Lm : 2700K : 2030lm (18W) / 2710lm (26W)  
3000K : 2120lm (18W) / 2830lm (26W)  
4000K : 2230lm (18W) / 2970lm (26W)  
5000K : 2330lm (18W) / 3100lm (26W)
- LED Lifetime : >50000h-L70/B10-Ta25°C(LM-80/TM-21)
- CCT/CRI : 2700K / 3000K / 4000K / 5000K , >Ra90
- SDCM : 3 SDCM
- Input : 220V~240V AC / 50Hz
- Dimming : built in dimming ( dimming range 10%-100% )

### Order Model

Model	LED	Dimming	Beam	CRI	CCT	Finish
<b>JL16W</b> SILO WW	<b>LM18</b> COB 18W	<b>O</b> On-board	<b>W</b> Washer	<b>9</b> 90	<b>27</b> 2700K	<b>WT</b> White <b>BK</b> Black
	<b>LM26</b> COB 26W				<b>30</b> 3000K	
					<b>40</b> 4000K	
					<b>50</b> 5000K	
JL16W	LM18	O	W	9	30	WT

Example : JL16WLM18-O-W930WT

# SILO WALL WASHER - MODEL: JL17WLM

J Track Luminaires

# WAC

PROJECT :

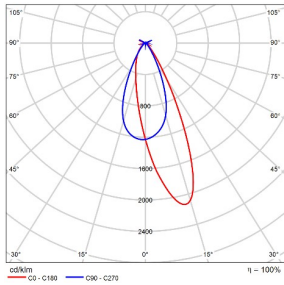
TYPE :

## Accessory

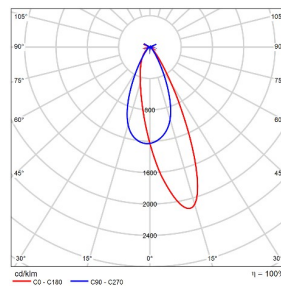
Four leaf shading board  
**LENS-73-BD**



## LIGHT DISTRIBUTION@3000K LUMINAIRE DATA



MODEL :	<b>JL16WLM18-O-W930</b>
BEAM ANGLE :	<b>WALL WASHING</b>
POWER :	<b>21W</b>
LUMENS :	<b>1555lm</b>
CBCP :	<b>/</b>
EFFICACY :	<b>74lm/W</b>



MODEL :	<b>JL16WLM26-O-W930</b>
BEAM ANGLE :	<b>WALL WASHING</b>
POWER :	<b>30W</b>
LUMENS :	<b>2061lm</b>
CBCP :	<b>/</b>
EFFICACY :	<b>69lm/W</b>

# SILO WALL WASHER - MODEL: JL17WLM

J Track Luminaires

# WAC

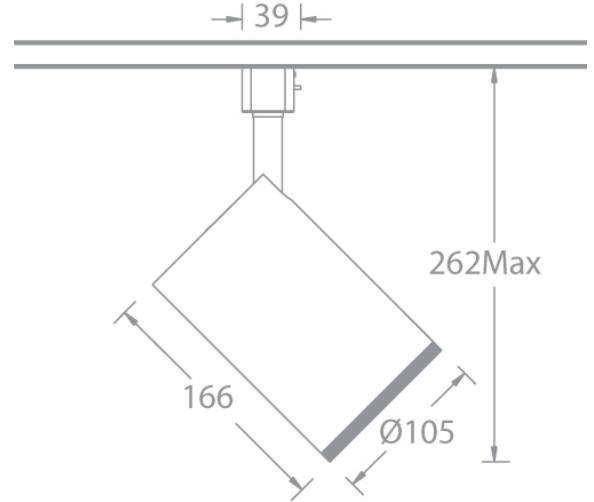
PROJECT :

TYPE :

Product Image



Line Drawing



## Product Description

The SILO Wall Washer (WW) series LED track spotlights are suitable for J single circuit track systems, with a delicate design and no visible heat sink. The lamp body is made of die-cast aluminum, with built-in flicker free driving appliances and a COB luminous module, providing a variety of standard color temperature options. They have excellent wall washing lighting and excellent color rendering performance, and are widely used in museums, art galleries, commercial spaces, hotels, retail and other places.

## Product Features

- Body Material : Aluminum alloy die-casting
- Optical System : Doublet lens
- Finish : Static electricity powder coating
- Adjustable Angle: lever 0°-355° ; vertical 0-90°
- Accessories : Light shield
- Certification : CCC
- IP Rating : IP20
- Insulation Level : Class I
- Operating Temperature : -20°C~40°C
- Net Weight : 1.4Kg without packing

## Product Specifications

- LED Type : COB
- LED power : 34W
- Source Lm : 3390lm (2700K) / 3530lm (3000K)  
3710lm (4000K) / 3880lm (5000K)
- LED Lifetime : >50000h-L70 / B10-Ta25°C(LM-80/TM-21)
- CCT/CRI : 2700K / 3000K / 4000K / 5000K , >Ra90
- SDCM : 3 SDCM
- Input : 220V~240V AC / 50Hz
- Dimming : Built knob dimming ( dimming range 10%-100% )

## Order model

Model	LED	Dimming	Beam	CRI	CCT	Finish
JL17W SILO WW	LM34 COB 34W	O On-board	W Washer	9 90	27 2700K 30 3000K 40 4000K 50 5000K	WT White BK Black
JL17W	LM34	O	W	9	30	WT

Example : JL17WLM34-O-W930WT

# SILO WALL WASHER - MODEL: JL17WLM

J Track Luminaires

# WAC

PROJECT :

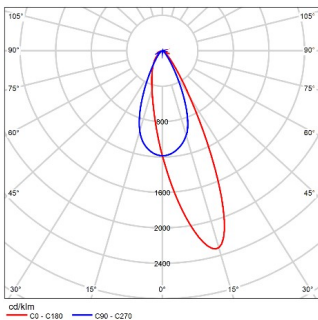
TYPE :

## Accessory

Four leaf shading board  
TL-22-BD-SW



## LIGHT DISTRIBUTION@3000K LUMINAIRE DATA



MODEL : JL17WLM34-O-W930

BEAM ANGLE : WALL WASHING

POWER : 38W

LUMENS: 2464lm

CBCP : /

EFFICACY : 65lm/W