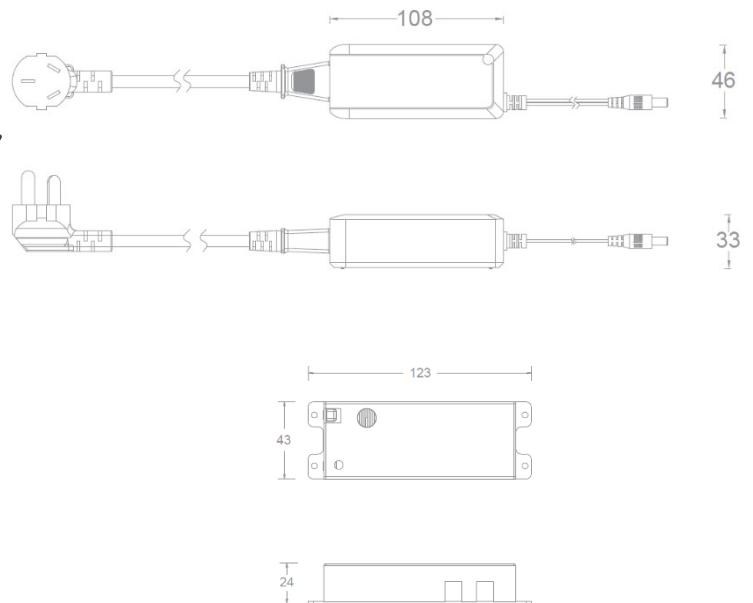


LEDME SHOWCASE LIGHTING

36VDC power adapter, MTB power splitter (four port)

WAC LIGHTING

Responsible Lighting®



DESCRIPTION

The LEDme series 36VDC power adapter and MTB power splitter are matched with WAC display cabinet lights, and can be quickly installed through standard DC plugs, suitable for museum display cabinets and high-end art exhibitions and other places.

Product characteristics

- LED display cabinet light dedicated driver electrical appliances, used in conjunction with lighting fixtures.
- The system consists of two parts: a 36VDC power adapter and an MTB power splitter;
- The MTB power splitter needs to be used in conjunction with a 36VDC power adapter and must be ordered together.
- The MTB power splitter adopts constant current output, which can support multiple ports for simultaneous output and hot swapping.
- The MTB power splitter is compatible with dimming, please refer to the product model list for details.
- IP20

Product specifications

Material:

The 36VDC power adapter adopts a delicate plastic shell; The MTB power splitter adopts a metal shell and is equipped with an efficient constant current dimming module.

Electrical:

The power adapter can input 220-240VAC/50Hz, with a maximum power of 36W and an output voltage of 36VDC; The MTB power splitter has a 36VDC input, multiple constant current outputs, and a typical voltage drop of 12V, suitable for supplying power to LED display cabinet lights.

Color: Black (BK)

36VDC Power Adapter

Model	Input	Output
PA-3636-BK-C	220-240VAC, 50Hz	36VDC, 36Wmax

1. This model includes: ① power adapter, ② 220-240VAC input line and its plug ③ Provide a 36VDC output line and DC quick connect plug to power the MTB power splitter.
2. Each 36VDC power adapter can drive up to one MTB power splitter

MTB Power Splitter

Model	Input	Output
MTB-400MA04D-BK	36VDC	4 output terminals, 400mA constant current (5W); Simultaneously supports knob dimming and 0-10V dimming
MTB-500MA04D-BK	36VDC	4 output terminals, 500mA constant current (6W); Simultaneously supports knob dimming and 0-10V dimming

1. The MTB power splitter is compatible with two dimming methods, and only one can be used for each dimming. If not used, it needs to be adjusted to the maximum value. Please refer to the installation manual for details.

2. 0 to 10 v dimmer need to advance with the dimming system matching test.

WAC Lighting

www.waclighting.com (US)

www.waclighting.com.cn (China)

Headquarters

44 Harbor Park Drive • Port Washington, NY

Phone (516) 515.5000 • Fax (516) 515.5050

WAC Lighting(Shanghai)

14,Lane 299, Bi Sheng Road,Shanghai

Phone (86.21) 3393.3558 • Fax (86.21) 3362.1598

LEDME SHOWCASE LIGHTING

36VDC power adapter, MTB power splitter (four port)

WAC LIGHTING

Responsible Lighting®

Note

- This product should be installed away from heat sources and used in conjunction with it;
- The input voltage of the MTB power splitter is 36VDC, and high voltage should not be directly connected, otherwise it will be damaged;
- The specification of the input quick connect plug of the MTB power splitter is 5.5 * 2.5 DC, and the specification of the output quick connect plug is 5.5 * 2.0 DC. It should not be connected incorrectly, otherwise it may cause damage;
- If the MTB power splitter is not turned off and directly connected to the LED lamp, the port will automatically turn off the output to prevent instantaneous impact and damage to the lamp;
- When the LED light fixture connected to each output port of the MTB power splitter malfunctions, the output will be automatically turned off;
- If the output end of the MTB power splitter is reinserted and the LED light fixture does not light up, you can press the reset button to reset and light up;
- The MTB power splitter supports knob dimming (10% -100%) or external 0-10V dimming signals, and compatibility testing needs to be done in advance;
- Please refer to the installation manual for other details.

WAC Lighting

www.waclighting.com (US)

www.waclighting.com.cn (China)

Headquarters

44 Harbor Park Drive • Port Washington, NY

Phone (516) 515.5000 • Fax (516) 515.5050

WAC Lighting(Shanghai)

14,Lane 299, Bi Sheng Road,Shanghai

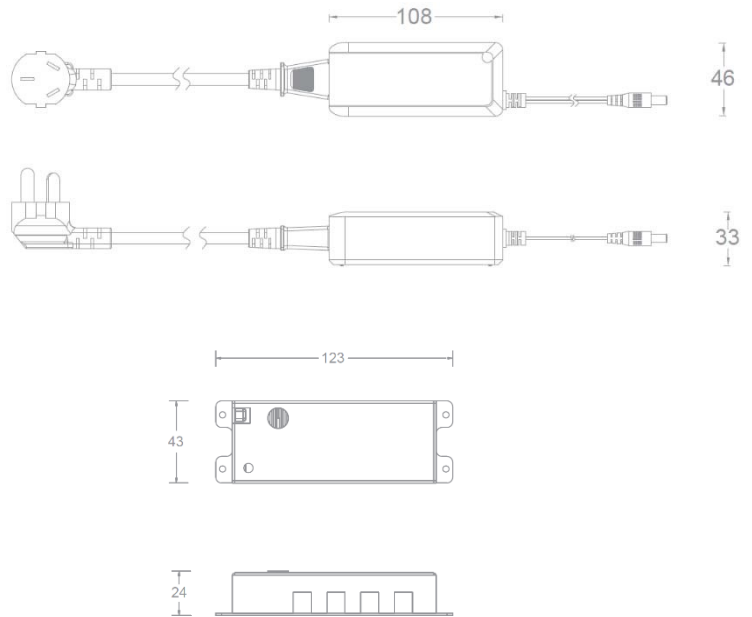
Phone (86.21) 3393.3558 • Fax (86.21) 3362.1598

LEDME SHOWCASE LIGHTING

36VDC power adapter, MTB power splitter (eight port)

WAC LIGHTING

Responsible Lighting®



DESCRIPTION

The LEDme series 36VDC power adapter and MTB power splitter are matched with WAC display cabinet lights, and can be quickly installed through standard DC plugs, suitable for museum display cabinets and high-end art exhibitions and other places.

Product characteristics

- LED display cabinet light dedicated driver electrical appliances, used in conjunction with lighting fixtures.
- The system consists of two parts: a 36VDC power adapter and an MTB power splitter; The MTB power splitter needs to be used in conjunction with a 36VDC power adapter and must be ordered together.
- The MTB power splitter adopts constant current output, which can support multiple ports for simultaneous output and hot swapping.
- The MTB power splitter is compatible with dimming, please refer to the product model list for details.
- IP20

Product specifications

Material:

The 36VDC power adapter adopts a delicate plastic shell; The MTB power splitter adopts a metal shell and is equipped with an efficient constant current dimming module.

Electrical:

The power adapter can input 220-240VAC/50Hz, with a maximum power of 36W and an output voltage of 36VDC; The MTB power splitter has a 36VDC input, multiple constant current outputs, and a typical voltage drop of 3V, suitable for supplying power to LED display cabinet lights.

Color: Black (BK)

36VDC Power Adapter

Model	Input	Output
PA-3636-BK-C	220-240VAC, 50Hz	36VDC, 36Wmax

1. This model includes: ① power adapter, ② 220-240VAC input line and its plug ③ Provide a 36VDC output line and DC quick connect plug to power the MTB power splitter.

2. The maximum number of MTB power splitters that can be driven by a 36VDC power adapter is:

Model	Maximum number of drivers for power adapters
MTB-350MA08D-BK	3 units
MTB-700MA08D-BK	2 units
MTB-1050MA08D-BK	1 unit

MTB Power Splitter

Model	Input	Output
MTB-350MA08D-BK	36VDC	8 output terminals, 350mA constant current (1W); Simultaneously supports knob dimming and 0-10V dimming
MTB-700MA08D-BK	36VDC	8 output terminals, 700mA constant current (2W); Simultaneously supports knob dimming and 0-10V dimming
MTB-1050MA08D-BK	36VDC	8 output terminals, 1050mA constant current (3W); Simultaneously supports knob dimming and 0-10V dimming

1. The MTB power splitter is compatible with two dimming methods, and only one can be used for each dimming. If not used, it needs to be adjusted to the maximum value.

Please refer to the installation manual for details.

2. 0 to 10 v dimmer need to advance with the dimming system matching test.

WAC Lighting

www.waclighting.com (US)

www.waclighting.com.cn (China)

Headquarters

44 Harbor Park Drive • Port Washington, NY

Phone (516) 515.5000 • Fax (516) 515.5050

WAC Lighting(Shanghai)

14,Lane 299, Bi Sheng Road,Shanghai

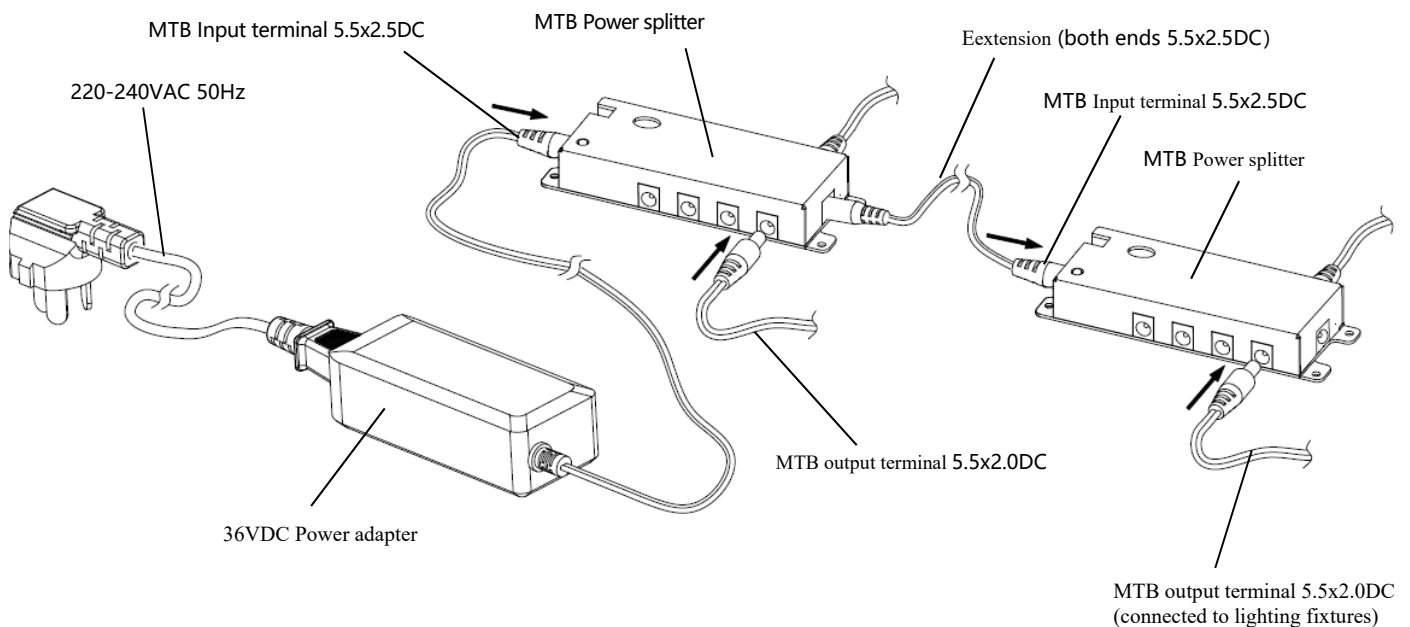
Phone (86.21) 3393.3558 • Fax (86.21) 3362.1598

Accessory

Model	Description
MTB-CON-1000-BK	<p>Extension cable, used for quick connection between MTB and another MTB, with quick connectors (5.5x2.5 DC) on both ends</p> <p>This extension cable can be used to drive two MTB power splitters with a 36VDC power adapter. The extension cable is located between the two MTB power splitters and has a length of about 1m.</p>

Note: This accessory needs to be ordered separately

Electrical Diagram



Note

- This product should be installed away from heat sources and used in conjunction with it;
- The input voltage of the MTB power splitter is 36VDC, and high voltage should not be directly connected, otherwise it will be damaged;
- The specification of the input quick connect plug of the MTB power splitter is 5.5 * 2.5 DC, and the specification of the output quick connect plug is 5.5 * 2.0 DC. It should not be connected incorrectly, otherwise it may cause damage;
- If the MTB power splitter is not turned off and directly connected to the LED lamp, the port will automatically turn off the output to prevent instantaneous impact and damage to the lamp;
- When the LED light fixture connected to each output port of the MTB power splitter malfunctions, the output will be automatically turned off;
- If the output end of the MTB power splitter is reinserted and the LED light fixture does not light up, you can press the reset button to reset and light up;
- The MTB power splitter supports knob dimming (10% -100%) or external 0-10V dimming signals, and compatibility testing needs to be done in advance;
- Please refer to the installation manual for other details.

