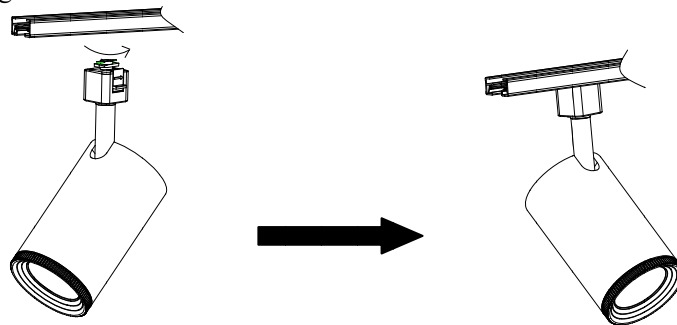


Installation Statement:

1. Please read the instruction manual carefully before installation;
2. This lamp is only suitable for WAC's J series tracks. If you need to use it with tracks from other manufacturers, please consult the factory's technical department in advance;
3. Installed by qualified electricians;
4. To avoid the risk of electric shock, please confirm to turn off the power before installation, maintenance, and lighting;
5. Only suitable for indoor installation and use (not suitable for humid environments);
6. The light source of this lamp is non replaceable, and once it needs to be replaced (such as at the end of the lamp's lifespan), the entire lamp should be replaced;
7. Keep the instruction manual for reference only.

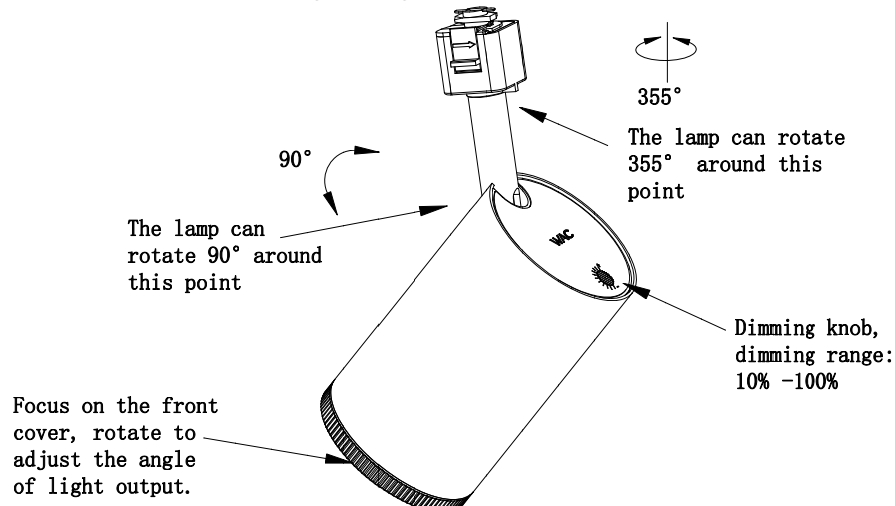
1、 Light Installation

1. Note that there is a small groove along one side of the track that indicates polarity;
2. There is an indicator arrow on the mortise and tenon of the lighting fixture's electrical connector. Place the arrow on the same side of the small groove on the track and parallel to it, and then insert the lighting fixture's electrical connector into the track. Rotate clockwise by 90 degrees. (Ensure that the tenon is inserted into the track and the light fixture is fixed on the track);
3. If you need to remove the lamp from the track, follow the opposite operation;
4. Track lights can be installed at any position along the track, but it is necessary to ensure that the track can withstand the weight of newly added lighting fixtures.



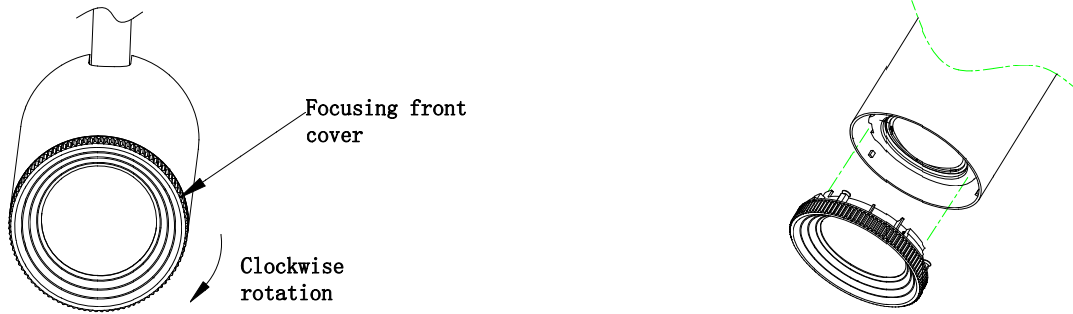
2、 Light adjustment

1. The lamp can rotate horizontally by 355 degrees and vertically by 90 degrees to adjust positioning. The specific instructions are shown in the following figure;
2. Lamp with knob dimming function: Rotate the rear cover dimming knob to adjust the brightness of the lamp, with a dimming range of 10% -100%;
3. Rotate the focusing front cover to adjust the angle of light output.

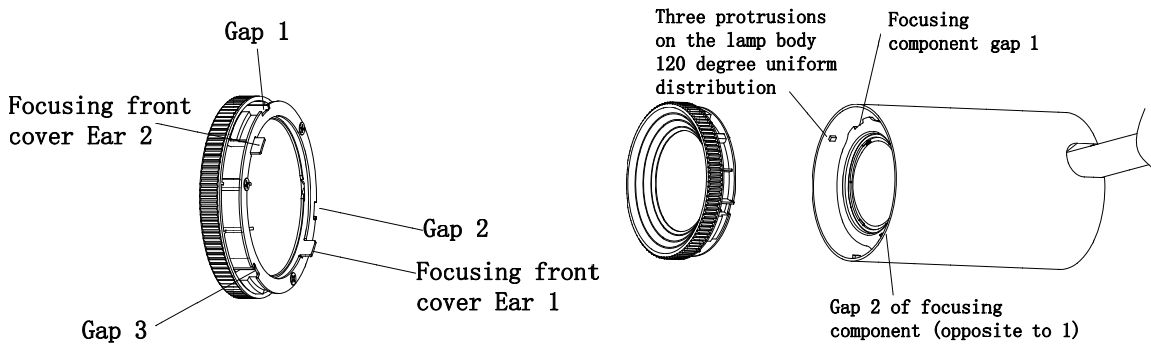


3、 Installation of attachments (purchased separately)

1. Rotate the front cover clockwise, hear a "click" prompt, stop rotating, and remove the front cover from the light (as shown in the figure below).



2. After replacing the glass or other accessories, align the ears of the two parts of the focusing front cover with the notches of the focusing component inside the lamp body and install them (note: the three protrusions on the lamp body need to fit with the three notches on the focusing front cover). Rotate counterclockwise to the required spot size to complete the installation of the accessories. Note: After installing the front cover, rotate it counterclockwise and hear a "click" prompt, which indicates that the front cover is installed in place. It cannot be simply plugged in, as there is a risk of falling off.



3. As shown in the following picture, first remove the snap ring and place other glass or accessories of the same size into the front frame assembly. Insert the three bending protrusions of the snap ring into the three notches on the side of the front cover to complete the glass replacement process.

4. Installing the spotlight: First, take out the snap ring, remove the glass and other accessories, install the spotlight, then place the glass and install the snap ring to complete the installation of the spotlight.

