

Installation Precautions:

1. Please read this manual before installing the system.
2. In order to avoid the risk of electric shock, please confirm to turn off the power before maintenance and installation.
3. The installation position of the track system must be more than 15cm away from flammable materials such as curtains.
4. Keep a distance of more than 1.5 meters from the floor.
5. Do not install and use the track system in a humid environment.
6. Do not install in a hidden area or through a wall.
7. In addition to track accessories and track lamps, do not install other electrical appliances on the track.
8. In order to ensure the safe operation of the track system, please do not install branch roads to avoid fire hazards.
9. Ask a professional electrician to check before connecting.
10. Please keep this manual for reference when replacing the track system.

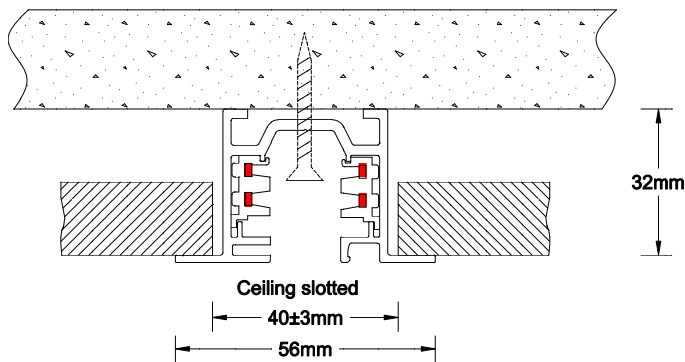
Installation of rails

Depending on the environment, surface mounting or hanging installation can be selected.

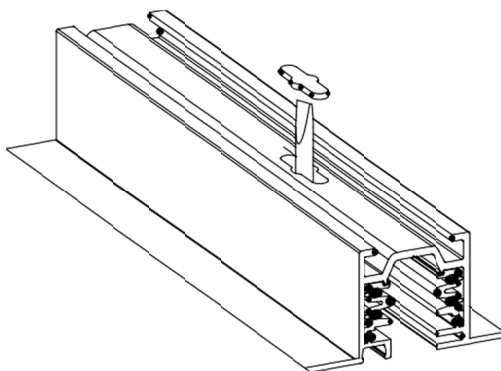
Do not fasten the rails to the ceiling until all the electrical fittings are installed.

A. Surface mounting

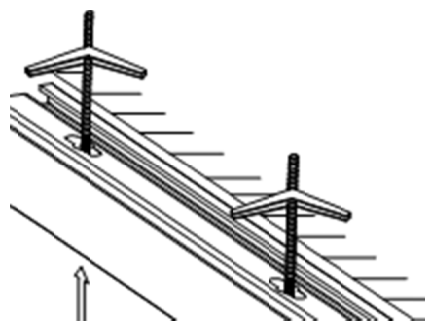
The cut-out sizes are as follows ($40\pm 3\text{mm}$):



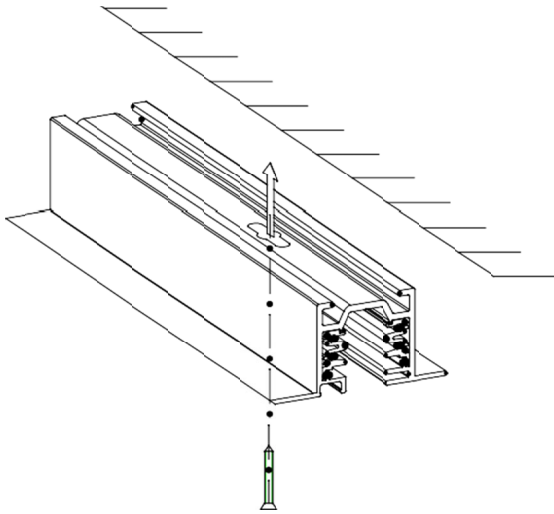
- ① Use a hammer and screwdriver to knock open the track half-push hole



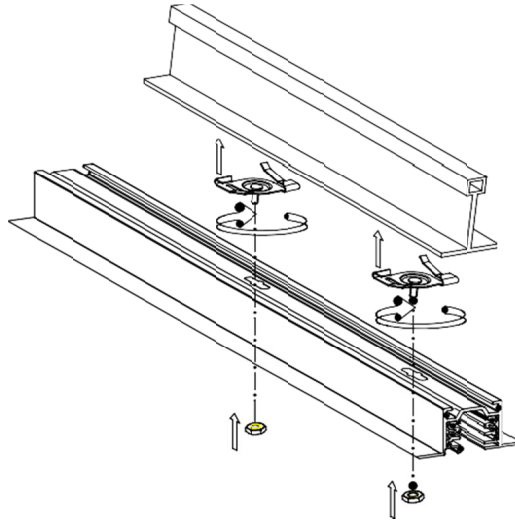
- ② Drill holes with a diameter of $\text{Ø}18\text{mm}$ at the location of the ceiling callouts, Install with a butterfly nut



③ Lock the ceiling with the attached screws

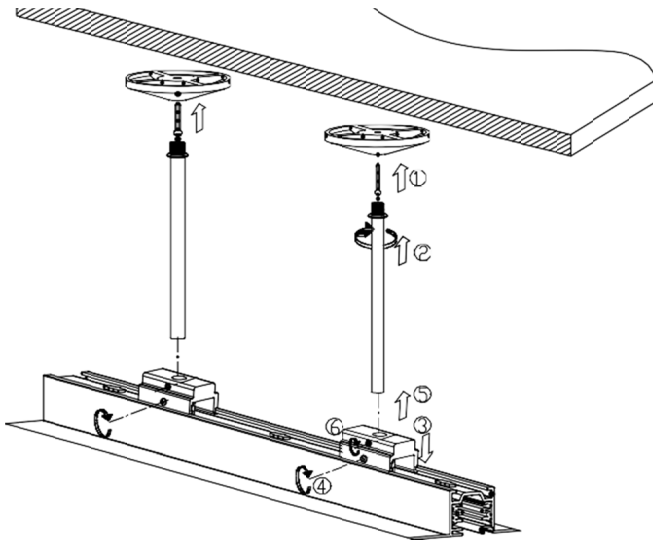


④ T-Bar installation

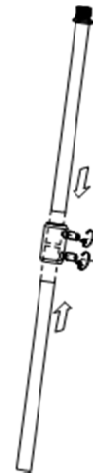


B. Suspension installation

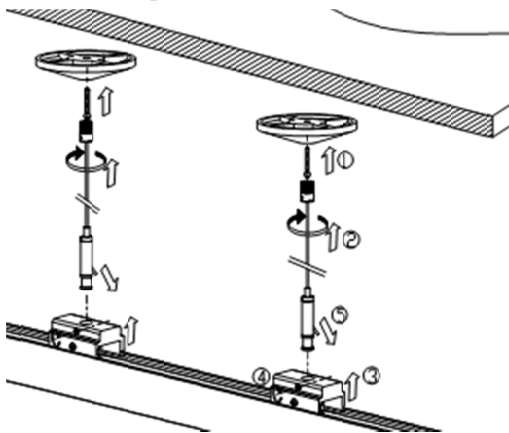
① Boom suspension installation



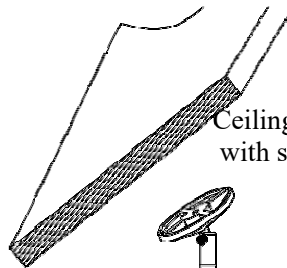
The boom is interconnected to adjust the height



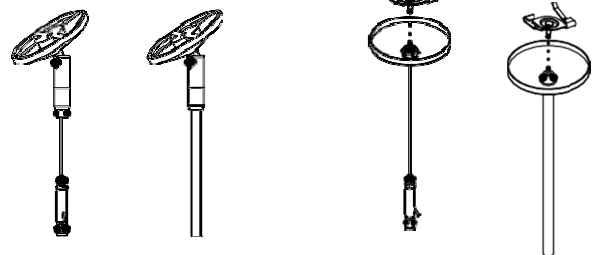
② Rope suspension installation



③

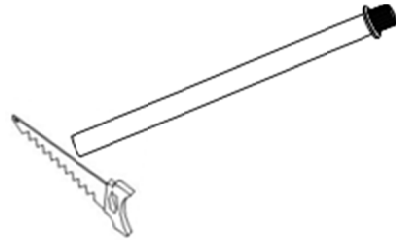
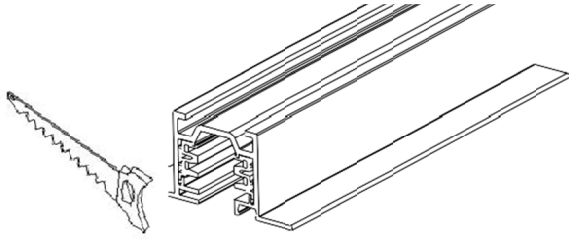


Ceiling hanging installation T-Bar pendant mounting with sloping ceilings



On-site cutting

- ① Cut the track to the right length
(the ends should be flush)
- ② Cut the boom to the right length



Fitting installation instructions

1. Please make sure to turn off all power before installation
2. Pay attention to the polarity connection indication of the track and joint.

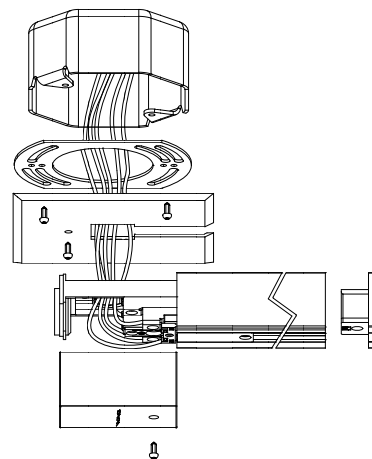
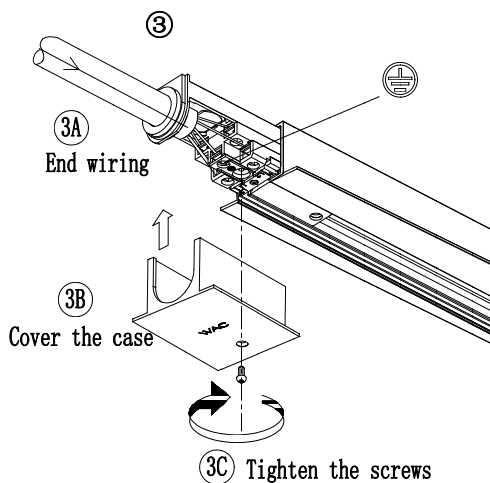
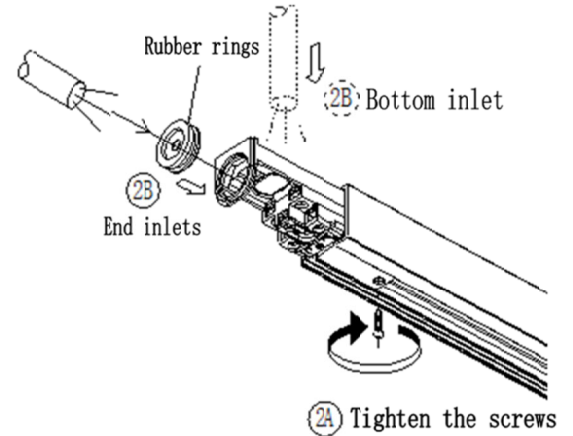
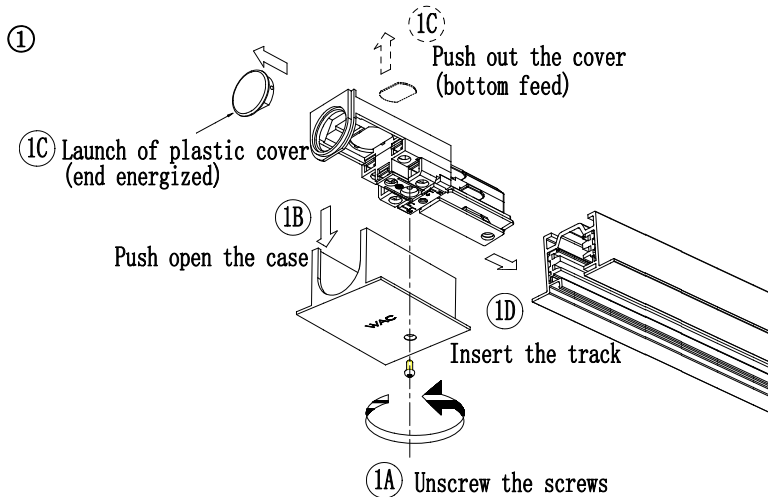
Option A: End Power Supply (WEDL-RT-2/WEDR-RT-2)

-Wire entry through the ends

The end plastic cover must be removed and replaced with a rubber ring

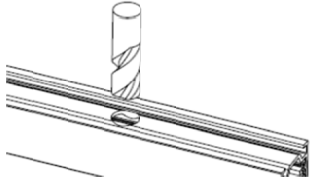
-Wire entry through the bottom

The bottom cover must be pushed open.

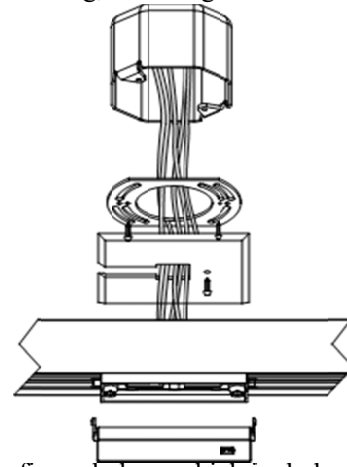
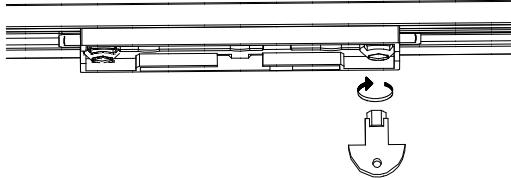


Option B: Intermediate Power Supply (WMD)

- ① Drilling holes in the middle of the track (diameter $\phi 16\text{mm}$) ③ Wiring, installing the bottom cover

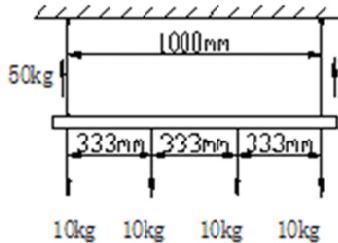


- ② To install the WMD, turn the knob 90 degrees clockwise

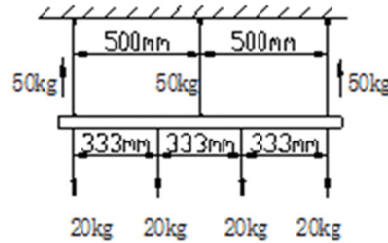


Maximum lifting weight

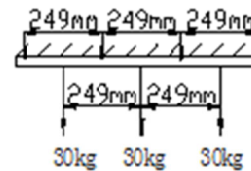
- The maximum weight that the rail system can bear is shown in the figure below, which includes the weight of the entire rigging system.
- A single adapter can withstand a maximum load of 10kg (the load is applied to the adapter according to the normal installation position of the luminaire).



Suspension installation



Suspension installation



Surface mount

Selection of wiring method

- Three circuit installation (non dimming/phase switching dimming/knob dimming using this wiring method)** circuit is shown in schematic A

Input voltage: 220-240V~50/60Hz

Maximum current: 16A

Maximum Load: 3840W

Using wires: minimum of $5 \times 2.5\text{mm}^2$

- Single circuit installation (dimming system adopts this wiring method: Example 0-10V/DALI/DMX512, note:**

The input voltage of DMX512 is based on the actual voltage input of the lamp). The circuit is shown in schematic B

Input voltage: 220-240V~50/60Hz

Maximum current: 16A

Maximum Load: 3840W

Using wires (L/N/G): minimum $3 \times 2.5\text{mm}^2$

Signal line: L1 to DIM+, L2 to DIM - (using wire: $2 \times 1.5\text{mm}^2$)

Warning: Please make sure all power is turned off before installing the system!

The end of the track must be equipped with a tail cover to prevent electric shock!

It is our joint responsibility to ensure the electrical, mechanical, and thermal compatibility between the guide rail system and the connected lamps!

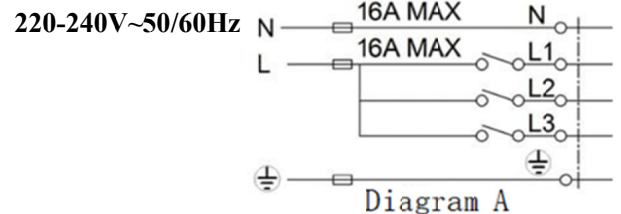


Diagram A

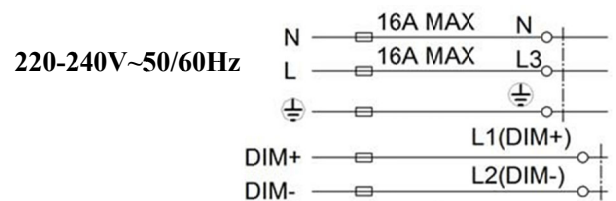
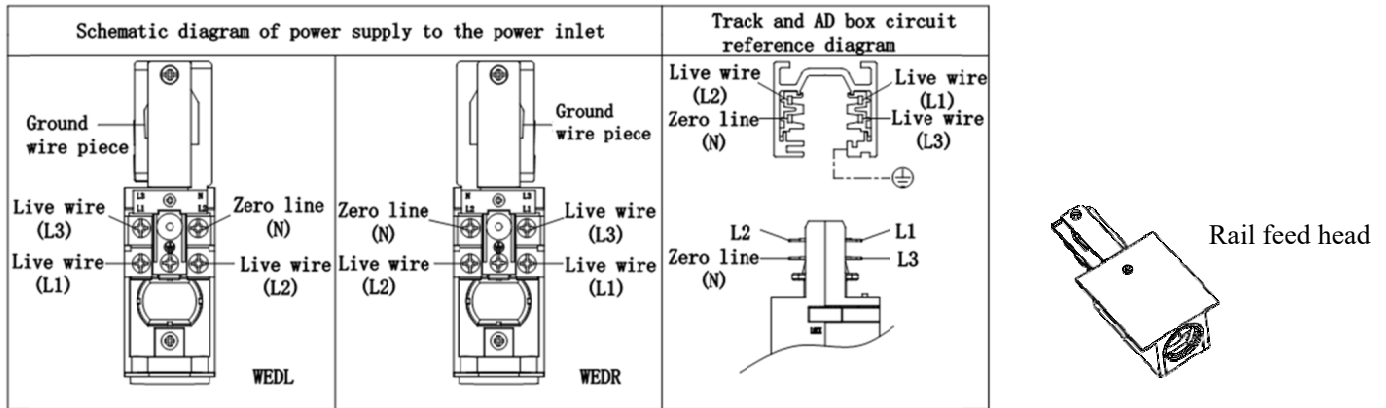
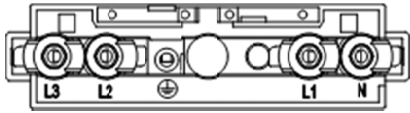


Diagram B

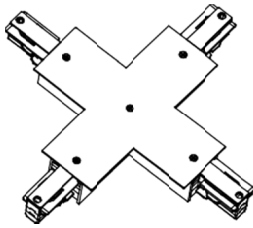
Wiring method 1: Three circuit track accessory wiring method (non dimming/phase switching dimming/knob dimming using three circuit wiring method)



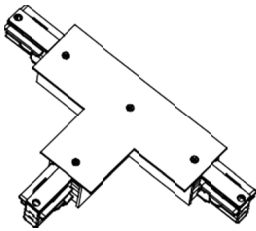
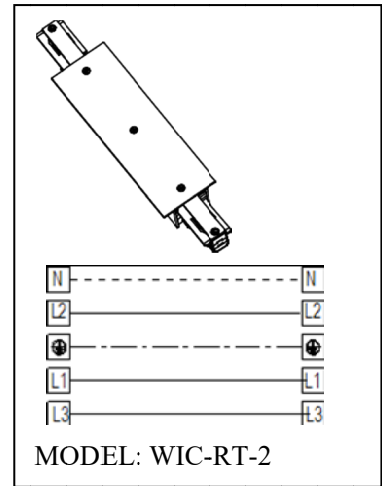
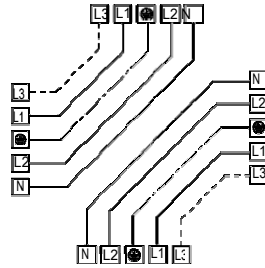
Rail power inlet connection MODEL: WEDL-RT-2 Rail power inlet connection MODEL: WEDR-RT-2



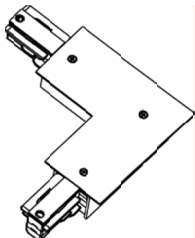
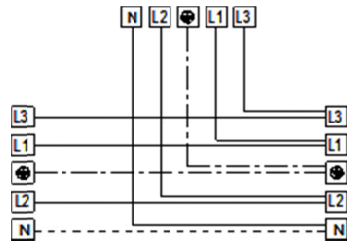
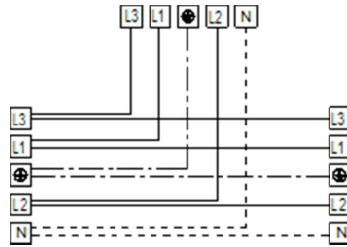
Middle power inlet connector MODEL: WMD



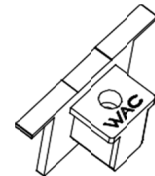
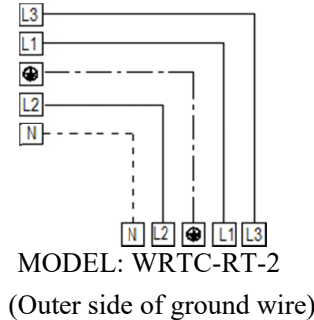
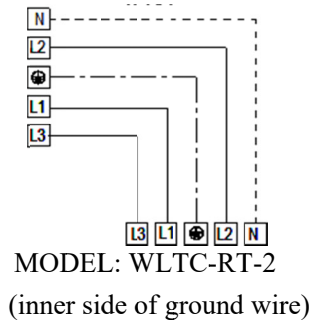
X-shaped connector MODEL:WXC-RT-2



T-shaped connector MODEL: WLTC-RT-2(Left side of ground wire) MODEL: WRTC-RT-2(Right side of ground wire)



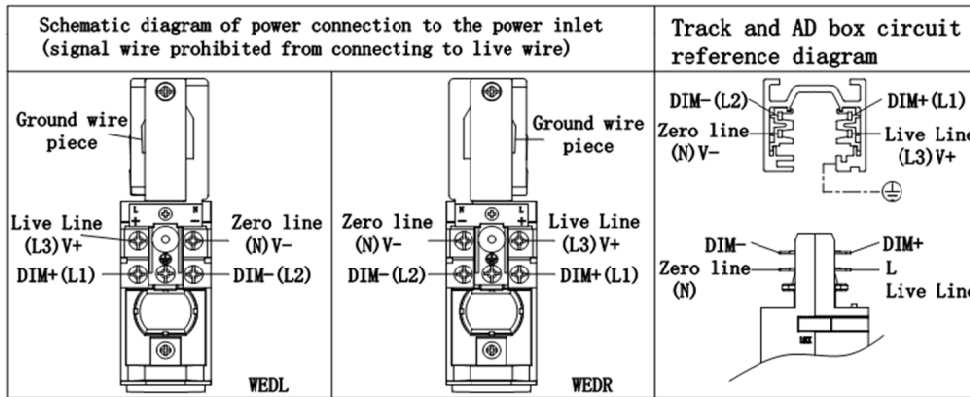
L-shaped connector



Tail plug MODEL: WEC-RT-2 L-s

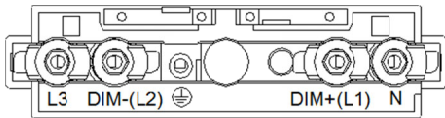
Wiring method 2: Wiring method for dimming in a single loop system

(For example, 0-10V/DALI/DMX512, etc. Note: The input voltage of DMX512 is based on the actual voltage of the lamp)

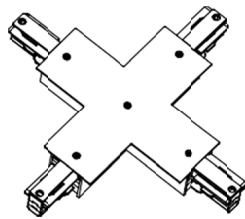


Attention: The left image V+/V- is suitable for low-voltage lamps with DXM512 dimming function and input voltage of 12V/24V/36V/48V. Such lamps should be wired according to the actual voltage, please do not directly connect to 220V!

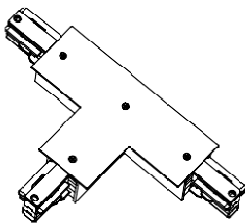
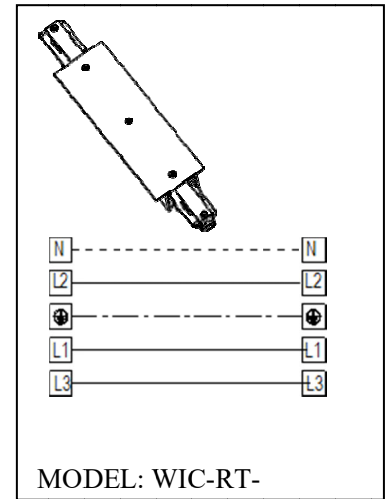
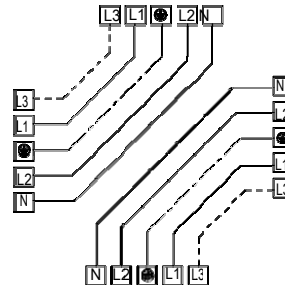
Power on mode: WEDL-RT-2 Power on mode: WEDR-RT-2



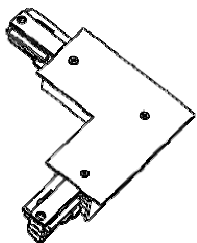
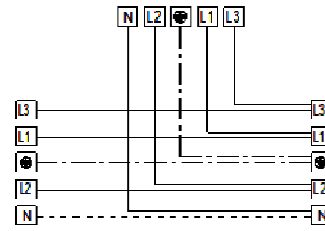
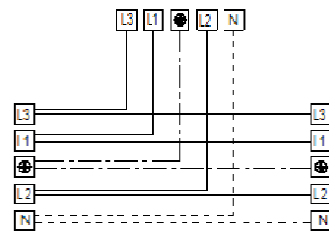
Middle power inlet connector MODEL: WMD



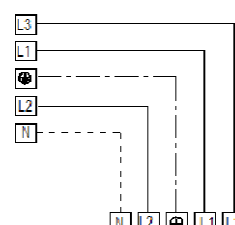
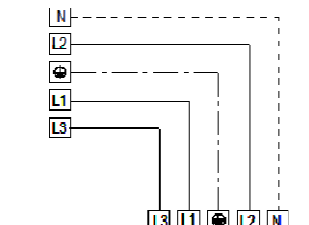
X-shaped connector MODEL: WXC-RT-2



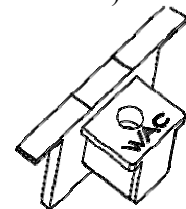
T-shaped connector



L-shaped connector



MODEL: WRTC-RT-2
(Outer side of ground wire)



Tail plug MODEL: WEC-RT-2