

EUDURANCE™ BRICK - MODEL: WL5205

Step And Wall Luminaires

WAC

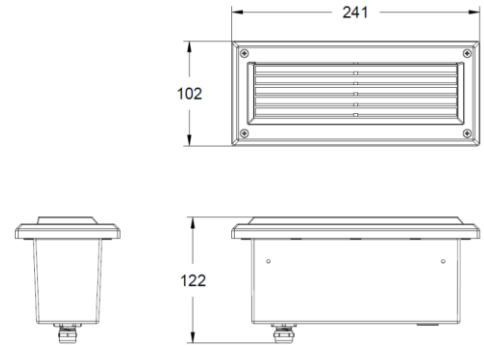
PROJECT:

TYPE:

Product Image



Line Drawing



Product Description

The design of BRICK series lighting fixtures, designed to highlight the aesthetic appeal of buildings, stems from their seamless integration into the wall structure. Efficient energy conservation and optimized light output increase the safety and style of stairs, while maintaining minimal glare on walls and corridors. IP66 can provide indoor and outdoor lighting solutions even in damp places. Can provide 220V/AC direct wiring; White can be provided.

Product Features

- Body Material: Aluminum alloy die-casting body
- Optical System: /
- Finish: Static electricity powder coating
- Projection direction: /
- Accessories/Brackets: /
- Certification: CCC
- IP Rating: IP66
- Insulation Level: Class I
- Operating Temperature: -20°C~50°C

Product Specifications

- Dimension: 207*68mm
- LED Type: SMD
- Power: 5W/LD05,7.4W/LD10
- Source Lm: 5W 3000K 473LM;10W 4000K 711LM;
- LED Lifetime: >40000h-L70 /B10-Ta25°C(LM-80/TM-21)
- CCT/CRI: 3000K/4000K, Ra90
- SDCM: 3 SDCM
- Input: 220V/AC 50/60Hz
- Dimming: ON-OFF
- Net Weight: 1.35Kg without packing

Order Model

Model	Power (W)	Max Lumens (Lm)	Control Systems	CCT	Finish
WL5205	LD05 5	61	E ON-OFF 220V/AC Power Supply	30 3000K	WT White Coat
	LD010 7.4	91		40 4000K	BK Black Coat BZ Bronze

Example: WL5205-LD05E-30WT

