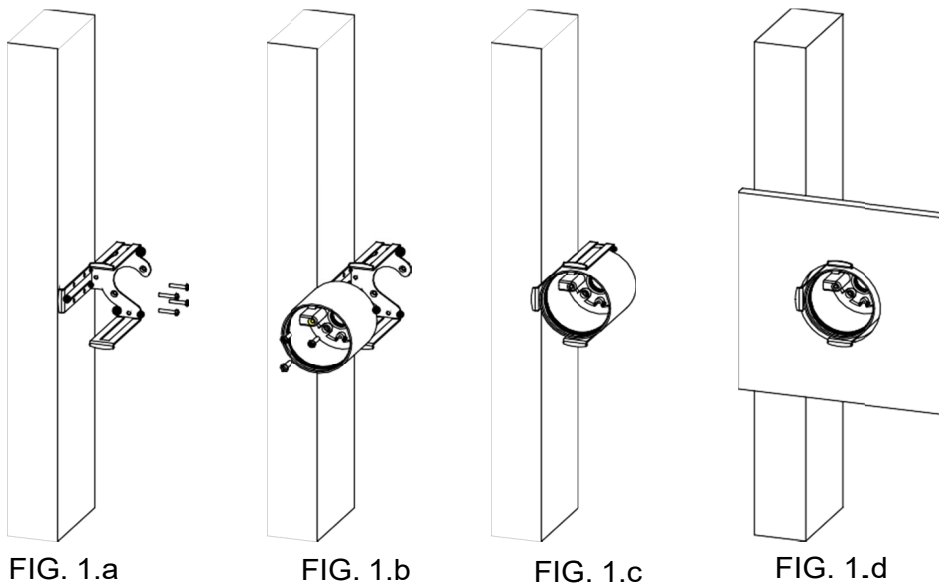


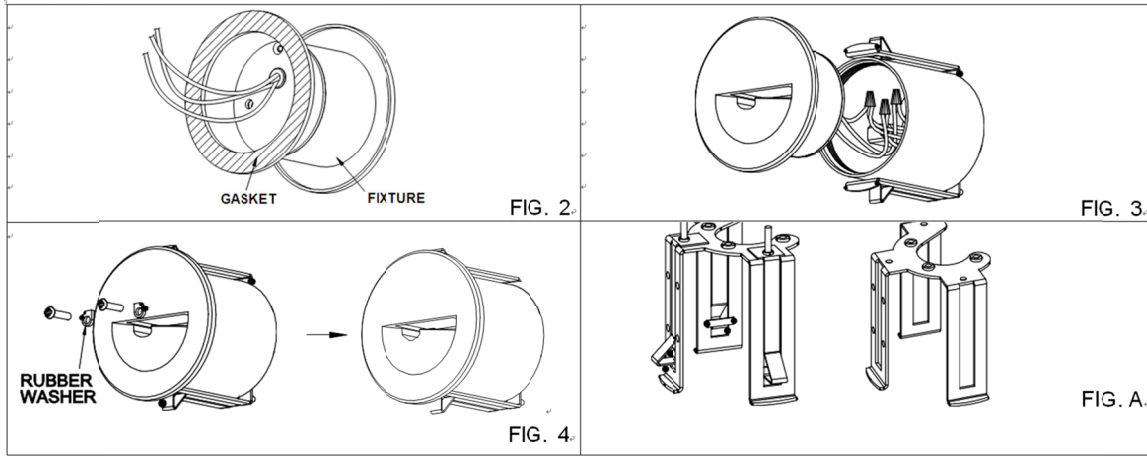
Installation Precautions:

1. Read all instructions before installing.
2. System is intended for installation by a qualified electrician in accordance with the National Electric Code, and local regulations. Consult with local inspector to ensure compliance
3. To reduce the risk of fire, electrical shock and injuries to persons, turn off power at main switch before installing or modifying the system.
4. Retain instructions for future maintenance reference.
5. Not complying with instructions could result in failure of the fixtures, and void the warranty.

Frame-Mounted installation into new structures

1. Remove all (3) adjusting brackets from mounting bracket as shown in Fig. A.
2. Use wood or sheet metal screws (by others) to attach mounting bracket to stud.
Important: Offset bracket forward to account for drywall or wood thickness. (Fig. 1a)
3. Attach the metal conduit to the canopy, then attach the canopy to the mounting bracket using the (3) screws and (3) rubber washers (pre-installed at the factory) provided. (Figs 1b & 1c)
Note: For indoor installation, rubber washers are not required, and can be discarded. Connect building wires to the canopy in accordance with the National Electrical Code and local ordinances
4. Install drywall (or other material) after cutting a 3 1/8" diameter hole to allow for the recessed mounting bracket. (Fig. 1d)
5. Slip gasket onto the back of the fixture. (Fig. 2)
Note: For indoor installation, gasket is not required, and can be discarded.
6. Connect the fixture wires to the housing wires as follows: Brown fixture wire to Brown (Hot) housing wire, Blue fixture wire to Blue (Neutral) housing wire, and Green fixture wire to Ground. (Fig. 3)
Note: Multiple fixtures (up to 200) can be wired together in parallel: Hot to hot, and neutral to neutral.
7. Place all wiring and connectors back in housing and install the fixture.
Note: For outdoor installation, it is recommended that the installer run a bead of clear, outdoor-rated silicone (GE RTV-162 or equivalent) caulk between gasket or back of fixture and mounting surface to prevent seepage of water into fixture.
8. Secure the fixture to the housing using two screws and two rubber washers (pre-installed at the factory) provided. (Fig. 4)





Installation into existing(Drywall/Plywood) structures:

1. Cut a hole 3 1/8" in diameter on the surface of the drywall (or other sheeting material). Hole needs to have a depth of at least 4" in order to accommodate the housing and wiring. Pull building wire through the hole.
2. Loosen the three securing the three adjusting brackets to the mounting bracket (Fig. A). Pull building wiring through hole in the back of the mounting bracket, then insert bracket with adjusters into wall.(Fig. 5)
3. Using a Phillips bit, tighten each of the three adjusters until the mounting bracket fits snugly in the hole.
4. Attach the metal conduit to the canopy, then attach the canopy to the mounting bracket using the (3) screws and (3) rubber washers (pre-installed at the factory) provided. (Fig. 6)

Note: For indoor installation, rubber washers are not required, and can be discarded. Connect building wires to the canopy in accordance with the National Electrical Code and local ordinances.

5. Slip gasket onto the back of the fixture. (Fig. 2)

Note: For indoor installation, gasket is not required, and can be discarded.

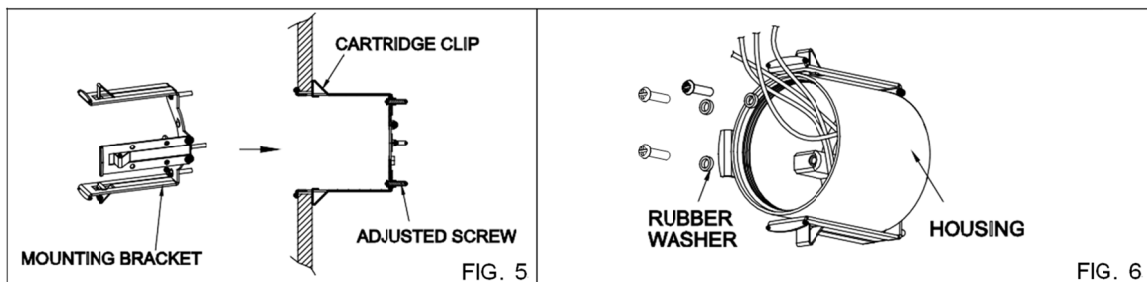
6. Connect the fixture wires to the housing wires as follows: Brown fixture wire to Brown (Hot) housing wire, Blue fixture wire to Blue (Neutral) housing wire, and Green fixture wire to Ground. (Fig. 3)

Note: Multiple fixtures (up to 200) can be wired together in parallel: Hot to hot, and neutral to neutral.

7. Place all wiring and connectors back in housing and install the fixture.

Note: For outdoor installation, it is recommended that the installer run a bead of clear, outdoor-rated silicone (GE RTV-162 or equivalent) caulk between gasket or back of fixture and mounting surface to prevent seepage of water into fixture.

8. Secure the fixture to the housing using two screws and two rubber washers provided. (Fig. 4)



Installation into mortar structures:

1. Remove all (3) adjusting brackets from mounting bracket as shown in Fig. A.
2. Cut a hole 3 1/8" in diameter on the surface of the wall. Hole needs to have a depth of at least 4" in order to accommodate the housing and wiring. Pull building wire through the hole.
3. Attach the metal conduit to the canopy, then attach the canopy to the mounting bracket using the (3) screws and (3) rubber washers (pre-installed at the factory) provided. (Fig. 6)
Note: For indoor installation, rubber washers are not required, and can be discarded. Connect building wires to the canopy in accordance with the National Electrical Code and local ordinances.
4. Slip gasket onto the back of the fixture. (Fig. 2)
Note: For indoor installation, gasket is not required, and can be discarded.
5. Connect the fixture wires to the housing wires as follows: Brown fixture wire to Brown(Hot) housing wire, Blue fixture wire to Blue (Neutral) housing wire, and Green fixture wire to Ground. (Fig. 3) .
Note: Multiple fixtures (up to 200) can be wired together in parallel: Hot to hot, and neutral to neutral.
6. Place all wiring and connectors back in housing and install the fixture
Note: For outdoor installation, it is recommended that the installer run a bead of clear, outdoor-rated silicone (GE RTV-162 or equivalent) caulk between gasket or back of fixture and mounting surface to prevent seepage of water into fixture.
7. Secure the fixture to the housing using two screws and two rubber washers provided. (Fig. 4)
8. For installation into masonry, it is important that the fixture be completely sealed. Attach metal conduit to the canopy, then use mortar to secure canopy in place.(Figs. 8a 8b)

