

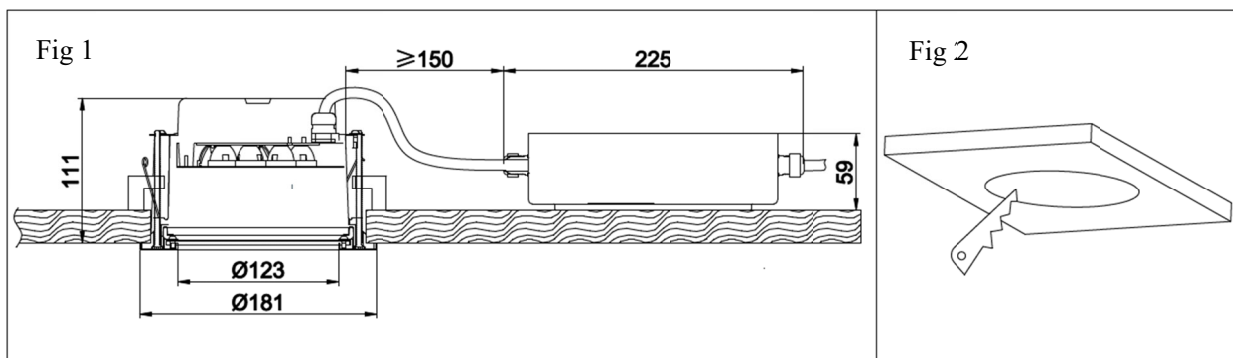
## Installation Precautions:

1. Please read the instructions carefully before installation;
2. Ask a professional electrician to install;
3. In order to avoid the risk of electric shock, please turn off the power supply before installation maintenance and replacement of the bulb;
4. Do not cover heat insulation and combustibles above the lamps and bulbs to avoid causing fires;
5. If the protective glass is cracked or damaged, please replace it with the glass protective cover provided by the company to avoid danger;
6. Do not install the lamp on the unstable and unstable ceiling to avoid the lamp falling;
7. If the external cable or cable of this lamp is damaged, the cable should be replaced by the manufacturer or its service agent or a similarly qualified person to avoid danger!
8. Keep the manual for reference.

## 1. Size requirements:

- 1) Confirm that the ceiling thickness is suitable for the requirements and that there is enough space on the ceiling for the installation of lamps (unit: mm) (Figure 1).
- 2) Dig a circular hole with a diameter of  $\phi 168\text{mm}$  in the ceiling, and the power cord is drawn from the circular hole (Figure 2).

## Light Installation and Wiring:



## 2. Lighting installation:

1) Power cable wiring: Please select the appropriate terminal to connect the power cable (the terminal is not attached) (Figure 3);

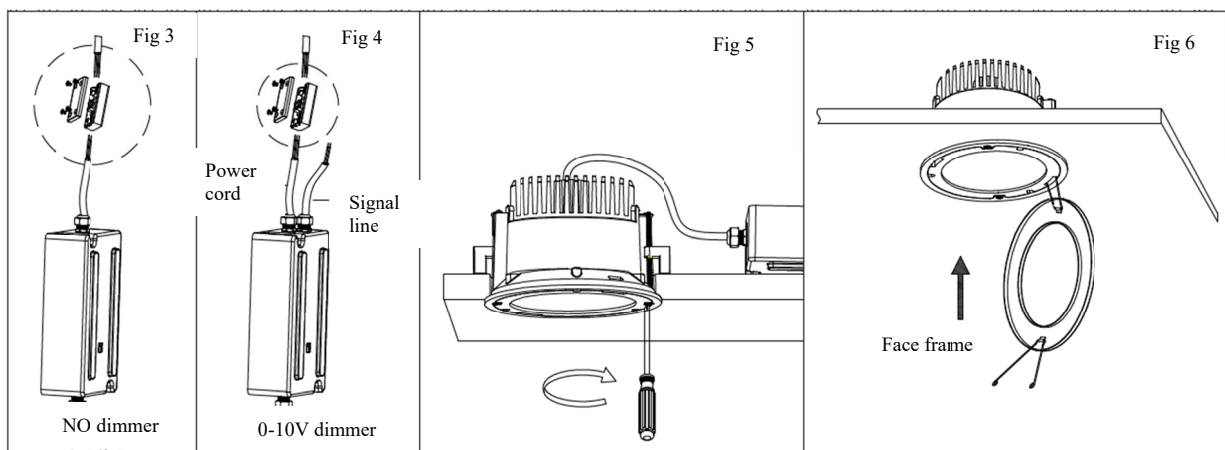
**Note:** The yellow-green line is the ground line, the brown line is the live line (L), and the blue line is the neutral line (N). Input: 220-240V ~ 50/60Hz; If it is a 0 ~ 10V dimming lamp, it is also necessary to connect the brown line in the signal line to the positive terminal and the blue line to the negative terminal (Figure 4);

2) Send the wires, junction boxes and lamps into the hole in the ceiling, and ensure that the junction boxes are not above the lamps and as far away from the lamps as possible;

3) Take out the decorative surface frame, the decorative surface frame will be hung on the lamp and will not fall;

4) Use a screwdriver to turn the phillips screw to lock the lamp and ceiling (Figure 5);

5) Press and hold the V-shaped spring to align with the hole to install the decorative surface frame, so that the bottom edge is flat with the ceiling surface (Figure 6).



### Note:

the installation found that the glass protective cover is damaged must be replaced, the lamp can only be reused with a complete protective cover.

1. When the glass shield is damaged and replaced, guests can only use the glass shield provided by the company.
2. When the glass shield is damaged and replaced, guests can only use the glass shield provided by our company