

FUEGO PRO- MODEL: EIR1N

In-ground Luminaires

WAC

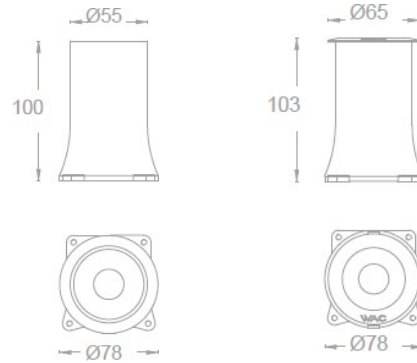
PROJECT:

TYPE:

Product Image



Line Drawing



Product Description

WAC's brand new FUEGO series buried lights have no screws on the surface and are perfectly embedded for installation. The latest LED module has excellent consistency in light output. The specially equipped Gore breathing valve can effectively balance the internal and external air pressure to prevent condensation. The lighting fixtures are suitable for residential areas, hotels, squares, parks, and courtyards, and are suitable for local lighting.

Product Features

- Body Material: Stainless steel lamp body
- Optical System: Lens
- Finish: Static electricity powder coating
- Adjustable Angle: /
- Accessories: Embedded parts; Suction cup
- Certification: CCC
- IP Rating: IP67/IK08 (Load bearing 500Kg)
- Insulation Level: Class III
- Operating Temperature: -20°C~50°C

Product Specifications

- LED Type: High Power
- Power: 2.1W(Max)
- Source Lm: 3000K 161lm; 4000K 171lm
- LED Lifetime: >50000h-L70 / B10-Ta25°C(LM-80 / TM-21)
- CCT/CRI: 3000K,Ra80 / 4000K,Ra80
- SDCM: 3 SDCM
- Input: 24V/DC
- Dimming: ON-OFF or DMX512 dimming control
- Net Weight: 0.4Kg without packing

Order Model

Model	Comment	Power (W)	LEDs (quantity)	Max Lumens (lm)	Control Systems	Beam	CCT	Finish
EIR1N	T Frameless F Frame	03 2(Max)	1	140	ET ON-OFF 24V/DC Power Supply	S 8° 1 15° 2 25° 4 45°	30 3000K 40 4000K	S Stainless Steel

Example:EIR1NT-03ET-S30-S

FUEGO PRO- MODEL: EIR1N

In-ground Luminaires



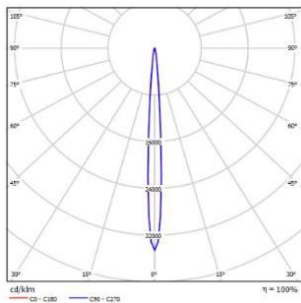
PROJECT:

TYPE:

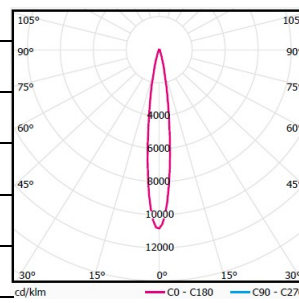
Accessory

ROUND	SUCTION CUP	Mini Round EMBEDDED PART		
Model	EIR1NT-SC001	EIR1NT-RC001	EIR1NT-RC002	SIZE

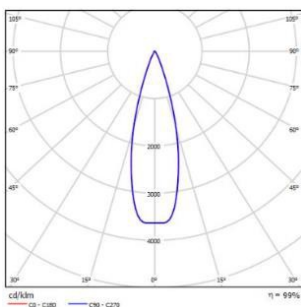
LIGHT distribution@3000K IUMINAIRE DATA



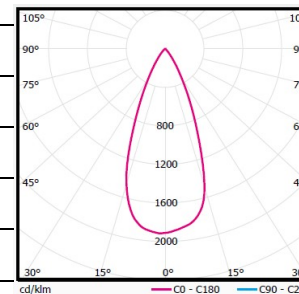
MODEL: EIR1NT-03ET-S30-S
BEAMANGLE: 8°
POWER: 3.4W
LUMENS: 162lm
CBCP: /
EFFICACY: 48lm/W



MODEL: EIR1NT-03ET-130-S
BEAMANGLE: 15°
POWER: 3.4W
LUMENS: 154lm
CBCP: /
EFFICACY: 45lm/W



MODEL: EIR1NT-03ET-230-S
BEAMANGLE: 25°
POWER: 3.4W
LUMENS: 148lm
CBCP: /
EFFICACY: 44lm/W



MODEL: EIR1NT-03ET-430-S
BEAMANGLE: 45°
POWER: 3.4W
LUMENS: 108lm
CBCP: /
EFFICACY: 32lm/W