

Model:

This installation manual is applicable to the EIL205 * and EIL210 * series LED outdoor hard strip lights, where "*" includes information on different control systems, color temperatures, and appearance colors of the lights.

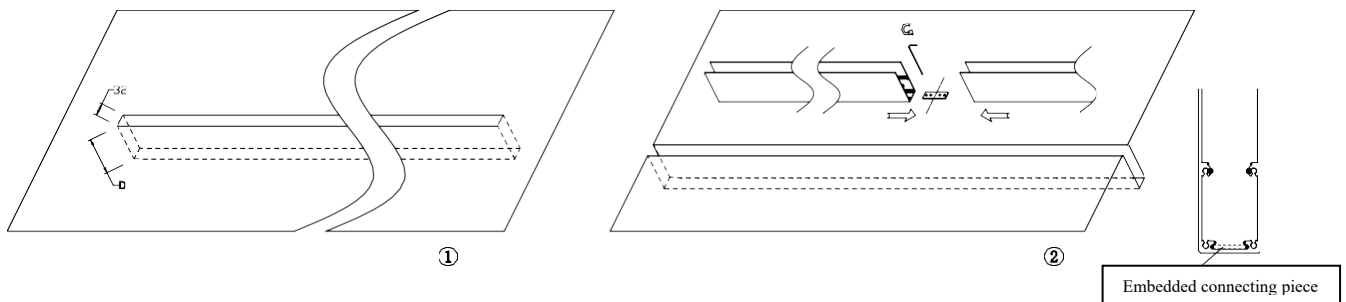
Installation Precautions:

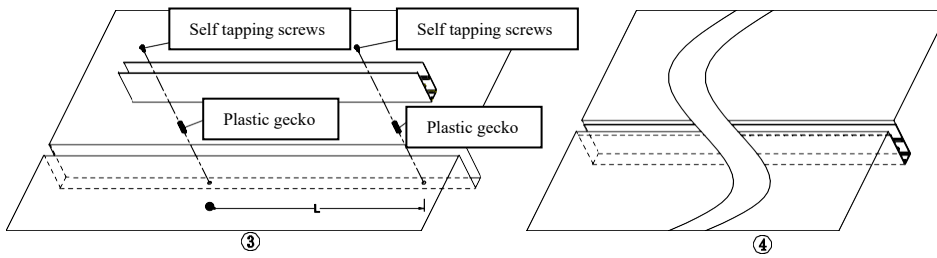
1. Please read the manual carefully before installation and keep it for reference only;
2. Please hire a professional electrician for installation;
3. To avoid the risk of electric shock, please confirm to turn off the power before installation and maintenance;
4. To prevent the lamp from being submerged in water for a long time, drainage pipes or drainage devices should be installed at the bottom.

Installation method and steps:

1. The installation method of this series of LED hard strip lights is only suitable for embedded installation on the ground, with embedded parts fixed in the ground groove, and the lighting fixtures fixed with embedded parts; Note: Self tapping screws and plastic geckos for fixing embedded parts must be provided by the construction party.
2. The installation method of embedded parts is shown in Figure 1:
Make a groove at the installation position of the lamp, with a width of 32mm and a depth of D corresponding to the lamp height of 90mm. The groove length corresponds to the length of the installed lamp or the length of the spliced lamp; If the embedded parts of the lighting fixture are used for splicing, adjacent embedded parts need to be connected with connecting pieces: insert the bottom slots of the two embedded parts on both sides of the connecting pieces and tighten the screws; Drill holes corresponding to the fixed holes of the embedded box in the slot, and refer to Table 1 for the distance between the fixed holes of the embedded parts. Put the plastic gecko into the hole, install the embedded parts, and lock the self tapping screws (the plastic gecko and self tapping screws need to be purchased by oneself); ④ The installation of embedded parts has been completed.

Note: When splicing embedded parts, the end caps of the embedded parts need to be removed, and only one end cap should be installed on each side of the embedded parts;





model	Fixed hole spacing (mm)
ETL205*	210
ETL210*	400

Table I

Figure 1

1. Installation method of lighting fixtures:

- ① Connect the male and female ends of the power cord to adjacent lighting fixtures;
- ② Install the lighting fixture into the embedded parts;

Note: The nuts connecting the male and female ends of the power and signal lines must be tightened to ensure waterproofing.

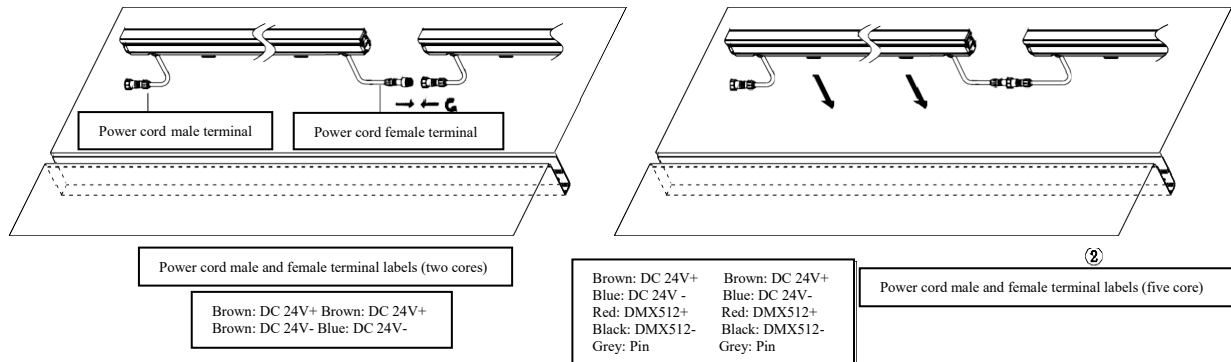
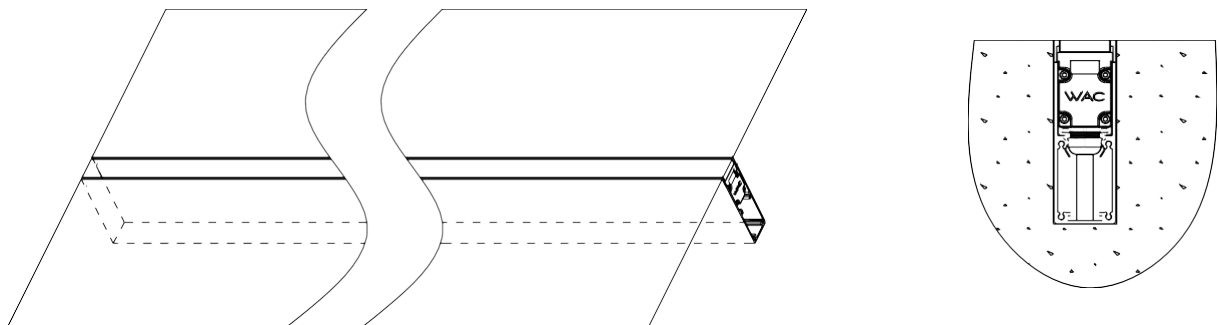
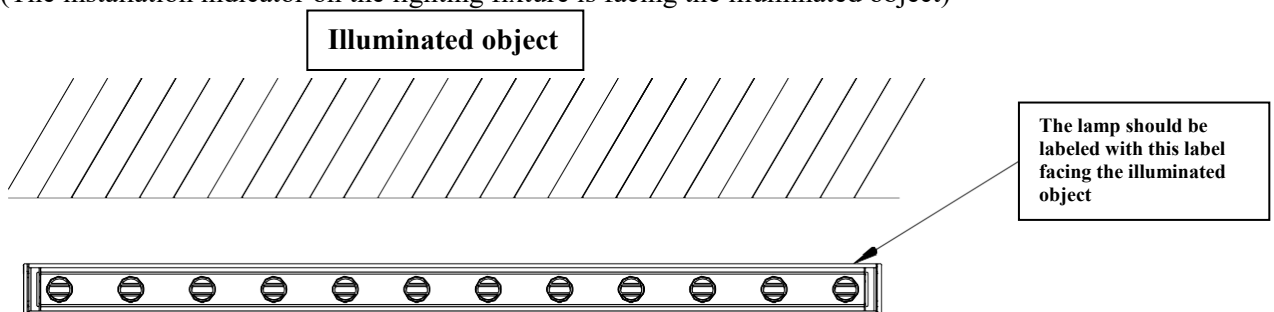


Figure 2

After the installation of the lighting fixtures, as shown in Figure 3 (a)



Installation instructions for angled versions (b)
(The installation indicator on the lighting fixture is facing the illuminated object)



1. The wiring of lamps without dimming function is shown in Figure 4

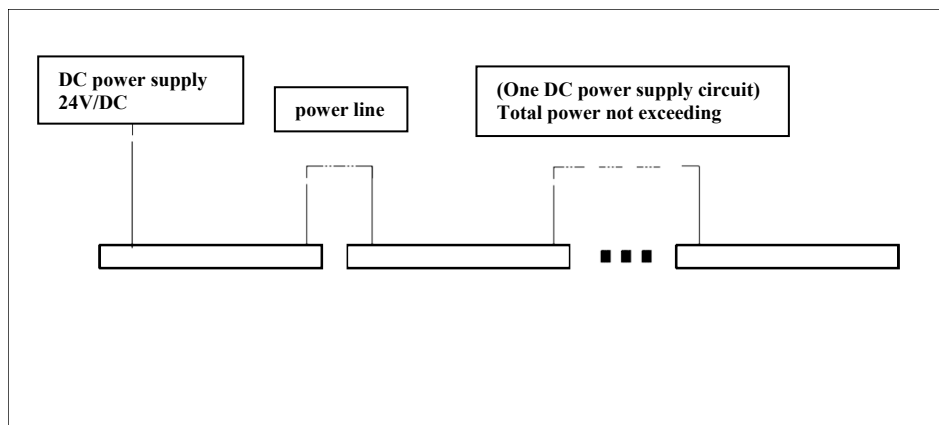


Figure 4

2. The wiring of dimming function lamps is shown in Figure 5

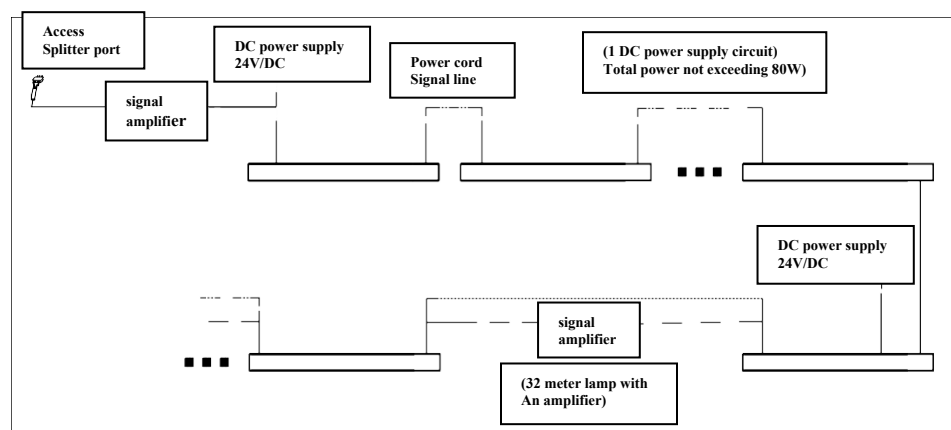


Figure 5

Brown: DC 24V+	Brown: DC 24V+
Blue: DC 24V -	Blue: DC 24V-
Red: DMX512+	Red: DMX512+
Black: DMX512-	Black: DMX512-
Grey: Pin	Grey: Pin

1. Lamp disassembly

When the lamp needs to be removed from the embedded parts, insert the lamp removal accessory from one end face of the lamp. When the lamp removal accessory is 41mm higher than the lamp, lift it forcefully to remove one side of the lamp from the embedded parts;

Note: The edge of the light removal accessory is advantageous. When using the light removal accessory to disassemble the lamp, protective gloves must be worn to prevent hand injuries during the light removal process!

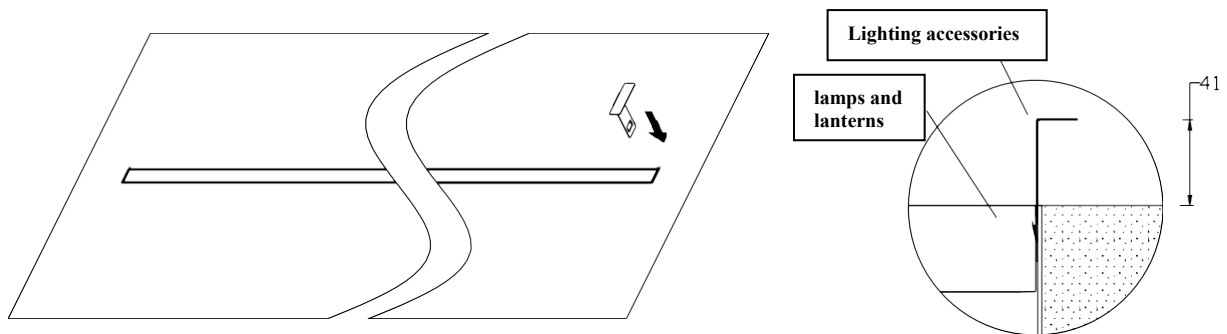


Figure 6

Remarks:

1. Connect the power and signal lines using the waterproof connector wire provided by our company;
2. The maximum total power of a power supply circuit shall not exceed 80W, and the number of lamps connected to each DC power supply circuit shall be determined based on the power value of the lamps;
3. Before connecting the lighting fixture to the sub control port, a signal amplifier is added; Then, a signal amplifier is added to every 32 meters of lighting fixtures, and a signal amplifier is added to every 16 meters of lighting fixtures for 1-meter eight segment control dimming fixtures;
4. For the usage of the main controller and sub controller, please refer to the manual of the main controller and sub controller.