

# FUEGO COMPACT - MODEL: EIR5S

In-ground Luminaires

# WAC

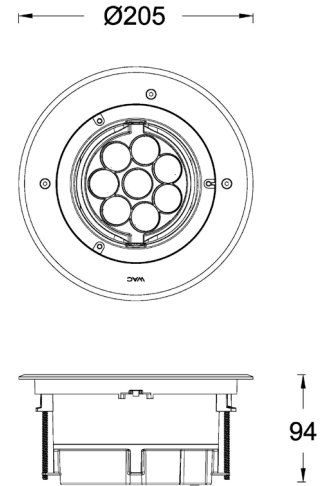
PROJECT:

TYPE:

## Product Image



## Line Drawing



## Product Description

FUEGO Compact Adjustable has an adjustable angle range of 0 °~30 °, and the surface frame is made of high-quality 316 stainless steel. The lamp body is aluminum die-casting and high-temperature powder spraying, suitable for outdoor environments. It has an IP67 protection level and an IK08 impact resistance level, and can withstand pressure of 2000kg. Cooperate with the design of the embedded cylinder to facilitate customer installation and maintenance. High transmittance lens, applied in residential areas, squares, parks, shopping centers, sculpture decoration lighting, etc.

## Product Features

- Body Material: Stainless steel frame+aluminum die-casting lamp body
- Optical System: Lens+SUBROSA® Hidden light system
- Finish: Static electricity powder coating
- Adjustable Angle: 0-30° tilt
- Accessories: As attached
- Certification: CCC
- IP Rating: IP67,IK08
- Insulation Level: Class I
- Operating Temperature: -20°C~50°C

## Product Specifications

- LED Type: HP LED
- Light power: 12W Max
- Source Lm: 3000K 1300LM
- LED Lifetime: >50000h-L70 /B10-Ta25°C(LM-80/TM-21)
- CCT/CRI: 2700K, 3000K, 4000K, Ra80;
- SDCM: 3 SDCM
- Input: 220V AC / 50Hz
- Dimming: On-off /
- Net Weight: 2.6Kg without packing

## Order Model

Model	Comment	Power (W)	LEDs (quantity)	Max Lumens(lm)	Control Systems	CCT	Beam	Finish
EIR5S	A Adjustable	12 12(Max)	8	997	EL ON-OFF 220V AC Power Supply	27 2700K	S 7°	SS Stainless Steel
						30 3000K	1 14°	
						40 4000K	2 20°	
							3 30°	

Example: EIR5SA-12EL-S27SS

WAC Lighting  
www.waclighting.com (US)  
www.waclighting.com.cn (China)

Headquarters  
44 Harbor Park Drive • Port Washington, NY  
Phone (516) 515.5000 • Fax (516) 515.5050

WAC Lighting(Shanghai)  
14,Lane 299, Bi Sheng Road, Shanghai 201204,China  
Phone (86.21) 3393.3558 • Fax (86.21) 3362.1598

WAC Lighting reserves the right to periodically design and update products.2024-01-26

# FUEGO COMPACT - MODEL: EIR5S

In-ground Luminaires



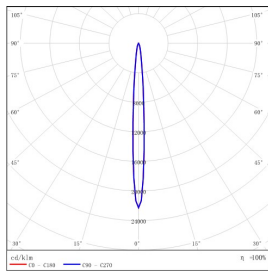
PROJECT:

TYPE:

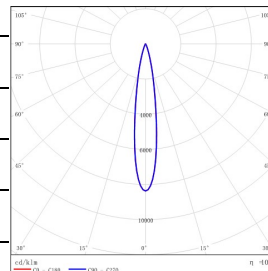
## Accessories

Item	Description	Pic	Description Dimensions
EIR5SA-RC001	Recessed Casing		

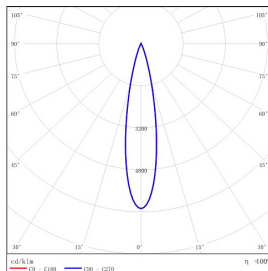
## LIGHT DISTRIBUTION@3000K LUMINAIRE DATA



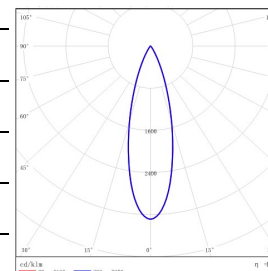
**MODEL:** EIR5SA-12EL-S30SS  
**BEAM ANGLE:** 6.8°  
**POWER:** 16.9W  
**LUMENS:** 997lm  
**CBCP:** /  
**EFFICACY:** 58.5lm/W



**MODEL:** EIR5SA-12EL-130SS  
**BEAM ANGLE:** 14.4°  
**POWER:** 16.9W  
**LUMENS:** 990lm  
**CBCP:** /  
**EFFICACY:** 58.5lm/W



**MODEL:** EIR5SA-12EL-230SS  
**BEAM ANGLE:** 20°  
**POWER:** 16.9W  
**LUMENS:** 997lm  
**CBCP:** /  
**EFFICACY:** 59.1lm/W



**MODEL:** EIR5SA-12EL-330SS  
**BEAM ANGLE:** 30°  
**POWER:** 16.9W  
**LUMENS:** 969lm  
**CBCP:** /  
**EFFICACY:** 57.3lm/W

# FUEGO COMPACT - MODEL: EIR6S

In-ground Luminaires

# WAC

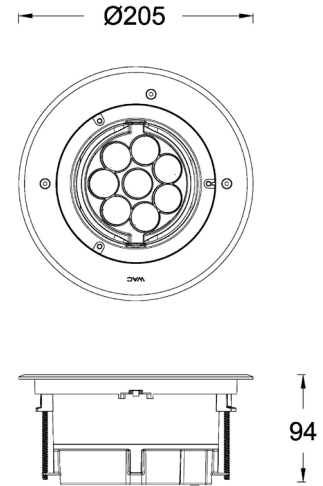
PROJECT:

TYPE:

## Product Image



## Line Drawing



## Product Description

FUEGO Compact Adjustable has an adjustable angle range of 0 °~30 °, and the surface frame is made of high-quality 316 stainless steel. The lamp body is aluminum die-casting and high-temperature powder spraying, suitable for outdoor environments. It has an IP67 protection level and an IK08 impact resistance level, and can withstand pressure of 2000kg. Cooperate with the design of the embedded cylinder to facilitate customer installation and maintenance. High transmittance lens, applied in residential areas, squares, parks, shopping centers, sculpture decoration lighting, etc.

## Product Features

- Body Material: Stainless steel frame+aluminum die-casting lamp body
- Optical System: Lens+SUBROSA® Hidden light system
- Finish: Static electricity powder coating
- Adjustable Angle: 0-30° tilt
- Accessories: As attached
- Certification: CCC
- IP Rating: IP67,IK08
- Insulation Level: Class I
- Operating Temperature: -20°C~50°C

## Product Specifications

- LED Type: HP LED
- Light power: 12W Max
- Source Lm: 3000K 1300LM
- LED Lifetime: >50000h-L70 /B10-Ta25°C(LM-80/TM-21)
- CCT/CRI: 2700K, 3000K, 4000K, Ra80;
- SDCM: 3 SDCM
- Input: 220V AC / 50Hz
- Dimming: On-off /
- Net Weight: 2.6Kg without packing

## Order Model

Model	Comment	Power (W)	LEDs (quantity)	Max Lumens(lm)	Control Systems	CCT	Beam	Finish
EIR6S	A Adjustable	12 12(Max)	8	687	EL ON-OFF 220V AC Power Supply	27 2700K	S 7°	SS Stainless Steel
						30 3000K	1 13°	
						40 4000K	2 20°	
							3 30°	

Example: EIR6SA-12EL-S27SS

WAC Lighting  
www.waclighting.com (US)  
www.waclighting.com.cn (China)

Headquarters  
44 Harbor Park Drive • Port Washington, NY  
Phone (516) 515.5000 • Fax (516) 515.5050

WAC Lighting(Shanghai)  
14,Lane 299, Bi Sheng Road, Shanghai 201204,China  
Phone (86.21) 3393.3558 • Fax (86.21) 3362.1598

WAC Lighting reserves the right to periodically design and update products.2024-01-26

# FUEGO COMPACT - MODEL: EIR6S

In-ground Luminaires



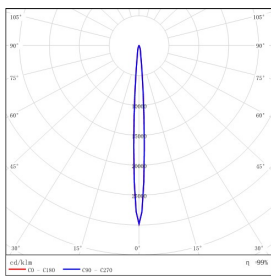
PROJECT:

TYPE:

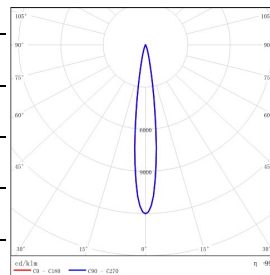
## Accessories

Item	Description	Pic	Description Dimensions
EIR5SA-RC001	Recessed Casing		

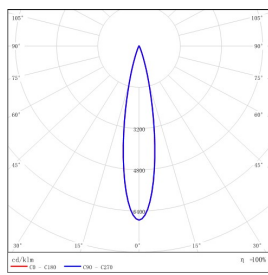
## LIGHT DISTRIBUTION@3000K LUMINAIRE DATA



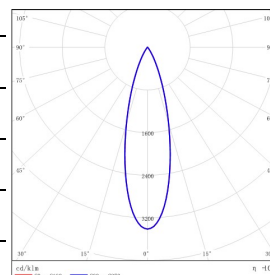
**MODEL:** EIR6SA-12EL-S30SS  
**BEAM ANGLE:** 7.3°  
**POWER:** 16.9W  
**LUMENS:** 687lm  
**CBCP:** /  
**EFFICACY:** 40.6lm/W



**MODEL:** EIR6SA-12EL-130SS  
**BEAM ANGLE:** 13.1°  
**POWER:** 16.9W  
**LUMENS:** 592.1lm  
**CBCP:** /  
**EFFICACY:** 34.98lm/W



**MODEL:** EIR6SA-12EL-230SS  
**BEAM ANGLE:** 20°  
**POWER:** 16.9W  
**LUMENS:** 615lm  
**CBCP:** /  
**EFFICACY:** 36.4lm/W



**MODEL:** EIR6SA-12EL-330SS  
**BEAM ANGLE:** 30°  
**POWER:** 16.9W  
**LUMENS:** 605.3lm  
**CBCP:** /  
**EFFICACY:** 35.8lm/W