

# FUEGO COMPACT - MODEL: EIR7S

## In-ground Luminaires

# WAC

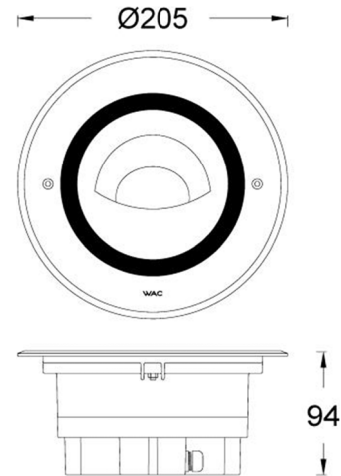
PROJECT:

TYPE:

### Product Image



### Line Drawing



### Product Description

The FUEGO Compact face frame is made of high-quality 316 stainless steel, with the lamp body made of aluminum die-casting and high-temperature powder spraying, suitable for outdoor environments. It has an IP67 protection level and an IK08 impact resistance level, and can withstand pressure of 2000kg. Patent wall washing system with a distance to height ratio of 1:1.3. Cooperate with the design of the embedded cylinder to facilitate customer installation and maintenance. Applied to residential areas, squares, parks, shopping centers, sculpture decoration lighting, etc.

### Product Features

- Body Material: Aluminum alloy die-casting + Stainless steel frame
- Optical System: Litebrush® Light waterfall wall washing system
- Finish: Static electricity powder coating
- Adjustable Angle: /
- Accessories: /
- Certification: CCC
- IP Rating: IP67, IK08
- Insulation Level: Class I
- Operating Temperature: -20°C~50°C

### Product Specifications

- LED Type : COB
- LED Power: 18W Max
- Source Lm: 3000K 2070lm
- LED Lifetime: >50000h-L70 / B10-Ta25°C(LM-80/TM-21)
- CCT/CRI: 2700K, 3000K, 4000K, Ra90
- SDCM: 3 SDCM
- Input: 220V AC/50Hz
- Dimming: ON-OFF
- Net Weight: 2.1Kg without packing

### Order Model

Model	Comment	Power (W)	LEDs (quantity)	Max Lumens (lm)	Control Systems	Beam	CCT	Finish
EIR7S	F Frame	18 18(Max)	COB	920	EL ON-OFF 220V AC Power Supply	W WALL WASHER	27 2700K	SS Stainless Steel
							30 3000K	
							40 4000K	

Example: EIR7SF-18EL-W27SS

# FUEGO COMPACT - MODEL: EIR7S

## In-ground Luminaires

# WAC

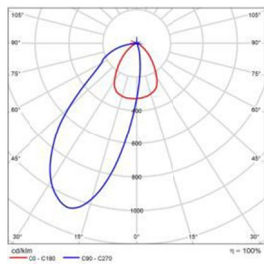
PROJECT:

TYPE:

### Accessory

Item	Description	Pic	Description Dimensions
EIR5SF-RC001	Recessed Casing		

### LIGHT DISTRIBUTION@3000K LUMINAIRE DATA



MODEL: EIR7SF-18EL-W30SS

BEAM ANGLE: WALL WASHER

POWER: 20.4 W

LUMENS: 920 LM

CBCP: /

EFFICACY: 45.1 LM/W