

# FUEGO COMPACT - MODEL: EIR7M

## In-ground Luminaires

# WAC LIGHTING

Responsible Lighting®

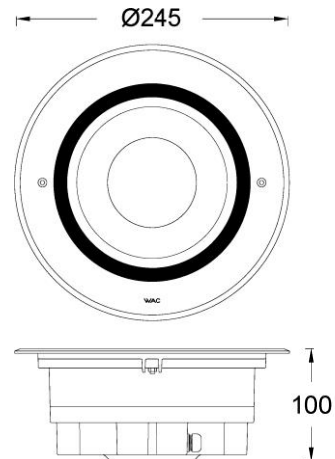
PROJECT :

TYPE :

### Product Image



### Line Drawing



### Product Description

The FUEGO Compact face frame is made of high-quality 316 stainless steel, with the lamp body made of aluminum die-casting and high-temperature powder spraying, suitable for outdoor environments. It has an IP67 protection level and an IK08 impact resistance level, and can withstand pressure of 2000kg. With the design of the embedded cylinder, it is convenient for customers to install and maintain. High transmittance lens, applied in residential areas, squares, parks, shopping centers, sculpture decoration lighting, etc.

### Product Features

- **Body Material** : Aluminum alloy die-casting + Stainless steel frame
- **Optical System** : Lens
- **Finish** : Static electricity powder coating
- **Adjustable Angle**: /
- **Accessories** : Embedded cylinder
- **Certification** : CCC
- **IP Rating** : IP67 , IK08
- **Insulation** : Class I
- **Operating Temperature** : -20°C~50°C

### Product Specifications

- **LED Typ** : COB
- **LED Power** : 31W Max
- **Source Lm** : 3000K 3410lm
- **LED Lifetime** : >50000h-L70 /B10-Ta25°C(LM-80/TM-21)
- **CCT/CRI** : 2700K , 3000K , 4000K , Ra90
- **SDCM** : 3 SDCM
- **Input** : 220V AC/50Hz
- **Dimming** : ON-OFF
- **Net Weight** : 3.4Kg , without packing

### Order Model

Model	Comment	Power (W)	LEDs (quantity)	Max Lumens (lm)	Control Systems	Beam	CCT	Finish
<b>EIR7M</b>		<b>31</b>				<b>1</b> 14°	<b>27</b> 2700K	<b>SS</b>
High Lumens	F Frame	31(Max)	COB	2970	EL ON-OFF 220V AC Power Supply	<b>2</b> 23°	<b>30</b> 3000K	Stainless
						<b>3</b> 36°	<b>40</b> 4000K	Steel
						<b>6</b> 62°		

Example : EIR7MF-31EL-127SS

# FUEGO COMPACT - MODEL: EIR7M

## In-ground Luminaires

WAC LIGHTING  
Responsible Lighting®

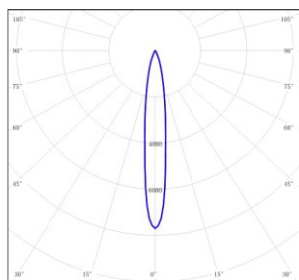
PROJECT :

TYPE :

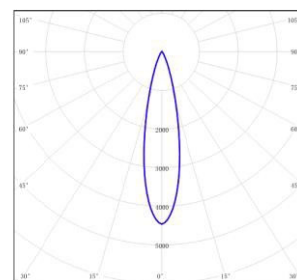
### Accessory

Item	Description	Pic	Description Dimensions
EIR5MF-RC001	Recessed Casing		

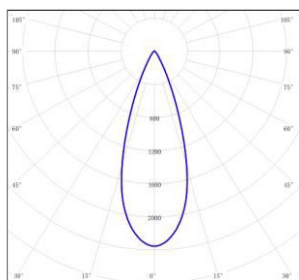
### LIGHT DISTRIBUTION@3000K LUMINAIRE DATA



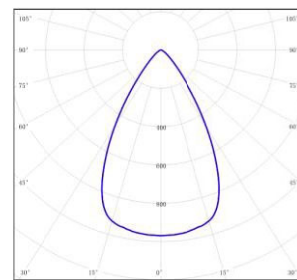
<b>MODEL :</b>	EIR7MF-31EL-130SS
<b>BEAM ANGLE :</b>	14°
<b>POWER :</b>	34.37W
<b>LUMENS:</b>	2955 lm
<b>CBCP :</b>	/
<b>EFFICACY :</b>	86 lm /W



<b>MODEL :</b>	EIR7MF-31EL-230SS
<b>BEAM ANGLE :</b>	23.3°
<b>POWER :</b>	34.4W
<b>LUMENS:</b>	2930 lm
<b>CBCP :</b>	/
<b>EFFICACY :</b>	85.24 lm /W



<b>MODEL :</b>	EIR7MF-31EL-330SS
<b>BEAM ANGLE :</b>	36.2°
<b>POWER :</b>	34.4W
<b>LUMENS:</b>	2901 lm
<b>CBCP :</b>	/
<b>EFFICACY :</b>	84.46 lm /W



<b>MODEL :</b>	EIR7MF-31EL-630SS
<b>BEAM ANGLE :</b>	61.5°
<b>POWER :</b>	34.4W
<b>LUMENS:</b>	2970 lm
<b>CBCP :</b>	/
<b>EFFICACY :</b>	86.47 lm /W

# FUEGO COMPACT - MODEL: EIR8M

## In-ground Luminaires

# WAC LIGHTING

Responsible Lighting®

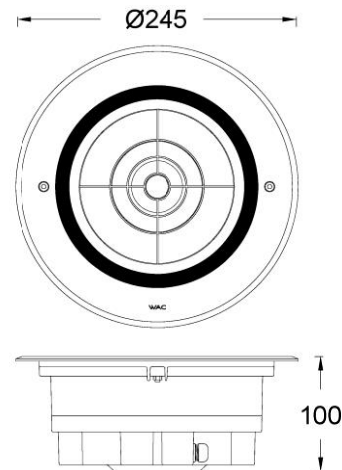
PROJECT :

TYPE :

### Product Image



### Line Drawing



### Product Description

The FUEGO Compact face frame is made of high-quality 316 stainless steel, with the lamp body made of aluminum die-casting and high-temperature powder spraying. It is suitable for outdoor environments, with an IP67 protection level and an IK08 impact resistance level. It can withstand pressure of 2000kg and efficiently prevent glare, with a cut-off angle of 33 °. Cooperate with the design of the embedded cylinder to facilitate customer installation and maintenance. Applied to residential areas, squares, parks, shopping centers, sculpture decoration lighting, etc.

### Product Features

- **Body Material** : Aluminum alloy die-casting + Stainless steel frame
- **Optical System** : Lens
- **Finish** : Static electricity powder coating
- **Adjustable Angle**: /
- **Accessories** : Embedded cylinder
- **Certification** : CCC
- **IP Rating** : IP67 , IK08
- **Insulation** : Class I
- **Operating Temperature** : -20°C~50°C

### Product Specifications

- **LED Typ** : COB
- **LED Power** : 31W Max
- **Source Lm** : 3000K 3410lm
- **LED Lifetime** : >50000h-L70 /B10-Ta25°C(LM-80/TM-21)
- **CCT/CRI** : 2700K , 3000K , 4000K , Ra90
- **SDCM** : 3 SDCM
- **Input** : 220V AC/50Hz
- **Dimming** : ON-OFF
- **Net Weight** : 3.4Kg , without packing

### Order Model

Model	Comment	Power (W)	LEDs (quantity)	Max Lumens (lm)	Control Systems	Beam	CCT	Finish
<b>EIR8M</b> Super Comfort	<b>F</b> Frame	<b>31</b> 31(Max)	COB	1570	<b>EL</b> ON-OFF 220V AC Power Supply	<b>1</b> 13°	<b>27</b> 2700K	<b>SS</b> Stainless Steel
						<b>2</b> 20°	<b>30</b> 3000K	
						<b>3</b> 31°	<b>40</b> 4000K	
						<b>6</b> 60°		

Example : EIR8MF-31EL-127SS

WAC Lighting  
[www.waclighting.com](http://www.waclighting.com) (US)  
[www.waclighting.com.cn](http://www.waclighting.com.cn) (China)

Headquarters  
44 Harbor Park Drive • Port Washington, NY  
Phone (516) 515.5000 • Fax (516) 515.5050

WAC Lighting Technology (Shanghai) Co., Ltd  
14, Lane 299, Bi Sheng Road, Shanghai 201204  
Phone (86.21) 3393.3558 • Fax (86.21) 3362.1598

WAC Lighting reserves the right to periodically design and update products. 2021-04-16

# FUEGO COMPACT - MODEL: EIR8M

## In-ground Luminaires

# WAC LIGHTING

Responsible Lighting®

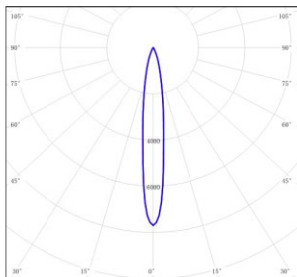
PROJECT :

TYPE :

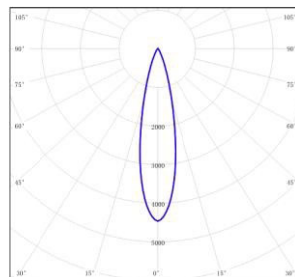
### Accessory

Item	Description	Pic	Description Dimensions
EIR5MF-RC001	Recessed Casing		

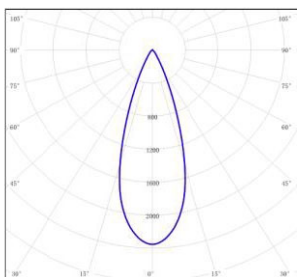
### LIGHT DISTRIBUTION@3000K LUMINAIRE DATA



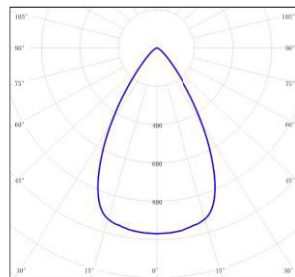
<b>MODEL :</b>	EIR8MF-31EL-130SS
<b>BEAM ANGLE :</b>	13°
<b>POWER :</b>	34.37W
<b>LUMENS:</b>	1495 lm
<b>CBCP :</b>	/
<b>EFFICACY :</b>	43.5 lm /W



<b>MODEL :</b>	EIR8MF-31EL-230SS
<b>BEAM ANGLE :</b>	20°
<b>POWER :</b>	34.4W
<b>LUMENS:</b>	1568.6 lm
<b>CBCP :</b>	/
<b>EFFICACY :</b>	45.6 lm /W



<b>MODEL :</b>	EIR8MF-31EL-330SS
<b>BEAM ANGLE :</b>	31°
<b>POWER :</b>	34.4W
<b>LUMENS:</b>	1520 lm
<b>CBCP :</b>	/
<b>EFFICACY :</b>	44.2 lm /W



<b>MODEL :</b>	EIR8MF-31EL-630SS
<b>BEAM ANGLE :</b>	60°
<b>POWER :</b>	34.4W
<b>LUMENS:</b>	1421 lm
<b>CBCP :</b>	/
<b>EFFICACY :</b>	41.3 lm /W