

FUEGO COMPACT - MODEL: EIR7N

In-ground Luminaires

WAC LIGHTING

Responsible Lighting®

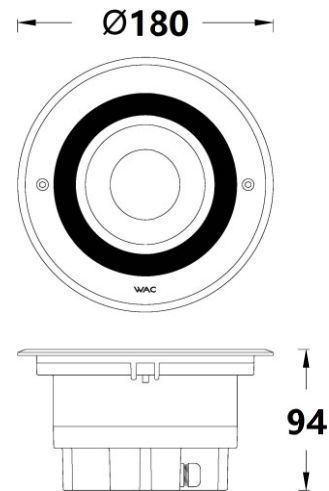
PROJECT :

TYPE :

Product Image



Line Drawing



Product Description

The FUEGO Compact face frame is made of high-quality 316 stainless steel, with the lamp body made of aluminum die-casting and high-temperature powder spraying, suitable for outdoor environments. It has an IP67 protection level and an IK08 impact resistance level, and can withstand pressure of 2000kg. With the design of the embedded cylinder, it is convenient for customers to install and maintain. High transmittance lens, applied in residential areas, squares, parks, shopping centers, sculpture decoration lighting, etc.

Product Features

- **Body Material** : Aluminum alloy die-casting + Stainless steel frame
- **Optical System** : Lens
- **Finish** : Static electricity powder coating
- **Adjustable Angle** : /
- **Accessories** : Embedded cylinder
- **Certification** : CCC
- **IP Rating** : IP67 , IK08
- **Insulation Level** : Class I
- **Operating Temperature** : -20°C~50°C

Product Specifications

- **LED Type** : COB
- **LED Power** : 13W Max
- **Source Lm** : 3000K 1430lm
- **LED Lifetime** : >50000h-L70 / B10-Ta25°C(LM-80/TM-21)
- **CCT/CRI** : 2700K , 3000K , 4000K , Ra90
- **SDCM** : 3 SDCM
- **Input** : 220V AC/50Hz
- **Dimming** : ON-OFF
- **Net Weight** : 1.6Kg , without packing

Order Model

Model	Comment	Power (W)	LEDs (quantity)	Max Lumens (lm)	Control Systems	Beam	CCT	Finish
EIR7N	F Frame	13 13(Max)	COB	1080	EL ON-OFF 220V AC Power Supply	1 17°	27 2700K 30 3000K 40 4000K	SS Stainless Steel
High Lumens						2 29°		
						4 49°		
						6 62°		

Example : EIR7NF-13EL-127SS

FUEGO COMPACT - MODEL: EIR7N

In-ground Luminaires

WAC LIGHTING
Responsible Lighting®

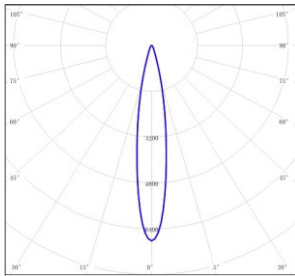
PROJECT :

TYPE :

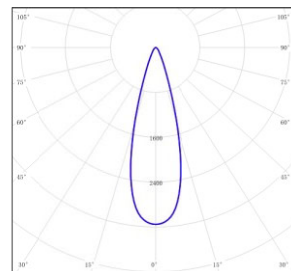
Accessory

Item	Description	Pic	Description Dimensions
EIR5NF-RC001	Recessed Casing		

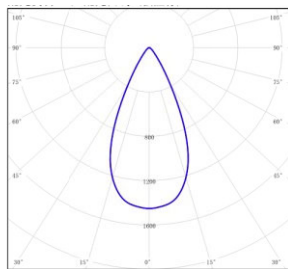
LIGHT DISTRIBUTION@3000K LUMINAIRE DATA



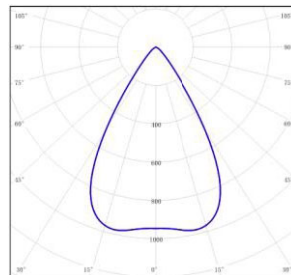
MODEL : EIR7NF-13EL-130SS
 BEAM ANGLE : 17°
 POWER : 14.17W
 LUMENS : 916 lm
 CBCP : /
 EFFICACY : 64.65 lm /W



MODEL : EIR7NF-13EL-230SS
 BEAM ANGLE : 29°
 POWER : 14.12W
 LUMENS : 949 lm
 CBCP : /
 EFFICACY : 67.2 lm /W



MODEL : EIR7NF-13EL-430SS
 BEAM ANGLE : 48.5°
 POWER : 14.12W
 LUMENS : 1009 lm
 CBCP : /
 EFFICACY : 71.5 lm /W



MODEL : EIR7NF-13EL-630SS
 BEAM ANGLE : 62.2°
 POWER : 14.11W
 LUMENS : 1080 lm
 CBCP : /
 EFFICACY : 76.5 lm /W

FUEGO COMPACT - MODEL: EIR8N

In-ground Luminaires

WAC LIGHTING

Responsible Lighting®

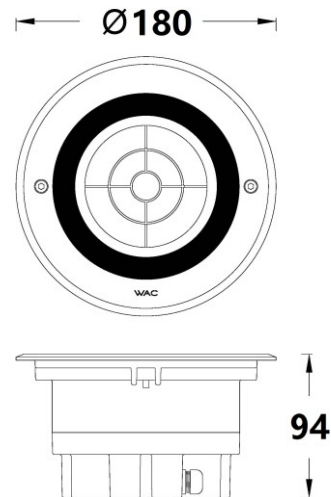
PROJECT :

TYPE :

Product Image



Line Drawing



Product Description

The FUEGO Compact face frame is made of high-quality 316 stainless steel, with the lamp body made of aluminum die-casting and high-temperature powder spraying. It is suitable for outdoor environments, with an IP67 protection level and an IK08 impact resistance level. It can withstand pressure of 2000kg and has an efficient anti glare design with a cut-off angle of 33 °. Cooperate with the design of the embedded cylinder to facilitate customer installation and maintenance. Applied to residential areas, squares, parks, shopping centers, sculpture decoration lighting, etc.

Product Features

- **Body Material** : Aluminum alloy die-casting + Stainless steel frame
- **Optical System** : Lens
- **Finish** : Static electricity powder coating
- **Adjustable Angle** : /
- **Accessories** : Embedded cylinder
- **Certification** : CCC
- **IP Rating** : IP67 , IK08
- **Insulation Level** : Class I
- **Operating Temperature** : -20°C~50°C

Product Specifications

- **LED Type** : COB
- **LED Power** : 13W Max
- **Source Lm** : 3000K 1430lm
- **LED Lifetime** : >50000h-L70 /B10-Ta25°C(LM-80/TM-21)
- **CCT/CRI** : 2700K , 3000K , 4000K , Ra90
- **SDCM** : 3 SDCM
- **Input** : 220V AC/50Hz
- **Dimming** : ON-OFF
- **Net Weight** : 1.6Kg , without packing

Order Model

Model	Comment	Power (W)	LEDs (quantity)	Max Lumens (lm)	Control Systems	Beam	CCT	Finish
EIR8N Super Comfort	F Frame	13 13(Max)	COB	537	EL ON-OFF 220V AC Power Supply	1 17° 2 26° 4 41° 6 60°	27 2700K 30 3000K 40 4000K	SS Stainless Steel

Example : EIR8NF-13EL-127SS

WAC Lighting
www.waclighting.com (US)
www.waclighting.com.cn (China)

Headquarters
44 Harbor Park Drive • Port Washington, NY
Phone (516) 515.5000 • Fax (516) 515.5050

WAC Lighting Technology (Shanghai) Co., Ltd
14, Lane 299, Bi Sheng Road, Shanghai 201204
Phone (86.21) 3393.3558 • Fax (86.21) 3362.1598

WAC Lighting reserves the right to periodically design and update products. 2023-08-03

FUEGO COMPACT - MODEL: EIR8N

In-ground Luminaires

WAC LIGHTING
Responsible Lighting®

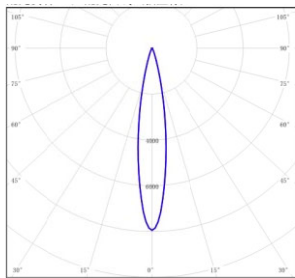
PROJECT :

TYPE :

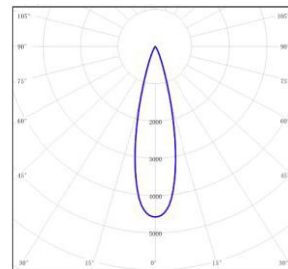
Accessory

Item	Description	Pic	Description Dimensions
EIR5NF-RC001	Recessed Casing		

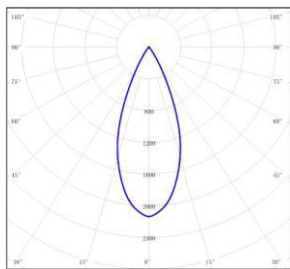
LIGHT DISTRIBUTION@3000K LUMINAIRE DATA



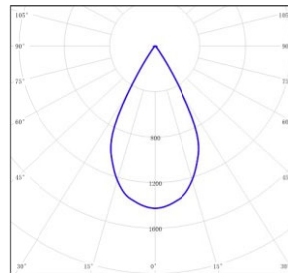
MODEL : EIR8NF-13EL-130SS
 BEAM ANGLE : 17.4°
 POWER : 14.14W
 LUMENS : 507 lm
 CBCP : /
 EFFICACY : 35.8 lm /W



MODEL : EIR8NF-13EL-230SS
 BEAM ANGLE : 25.6°
 POWER : 14.12W
 LUMENS : 519 lm
 CBCP : /
 EFFICACY : 36.7 lm /W



MODEL : EIR8NF-13EL-430SS
 BEAM ANGLE : 41.3°
 POWER : 14.12W
 LUMENS : 498 lm
 CBCP : /
 EFFICACY : 35.3 lm /W



MODEL : EIR8NF-13EL-630SS
 BEAM ANGLE : 60°
 POWER : 14.12W
 LUMENS : 537 lm
 CBCP : /
 EFFICACY : 38 lm /W