

Installation Statement:

1. Please read the manual carefully before installation and keep it for reference only;
2. To prevent the lamp from being submerged in water for a long time, drainage pipes or drainage devices should be installed at the bottom;
3. To avoid the risk of electric shock, please confirm to turn off the power before installation and maintenance;
4. Please have a professional electrician install it.

Ground installation:

1. First, open holes at the location where the lighting fixtures are to be installed according to the corresponding model of the lighting fixture as shown in Figure 1-①, with a depth of $\geq 110\text{mm}$. The diameter size is shown in Figure 1;

Note: ● It is recommended to place crushed stones, sand, and other materials at the bottom of the hole to prevent water accumulation;

- The lamp has waterproof function, but considering that water accumulation may affect the stability of the wire and wiring, it is recommended to add drainage holes to the installation holes.

2. As shown in Figure 1-3, place the embedded parts (to be purchased separately) into the excavated holes, cover them with PVC mud barriers, and backfill with soil;

- Note that the embedded parts should be installed flush with the ground: Figure 1-④;

- The small gap on the embedded part needs to be placed forward: Figure 1-①;

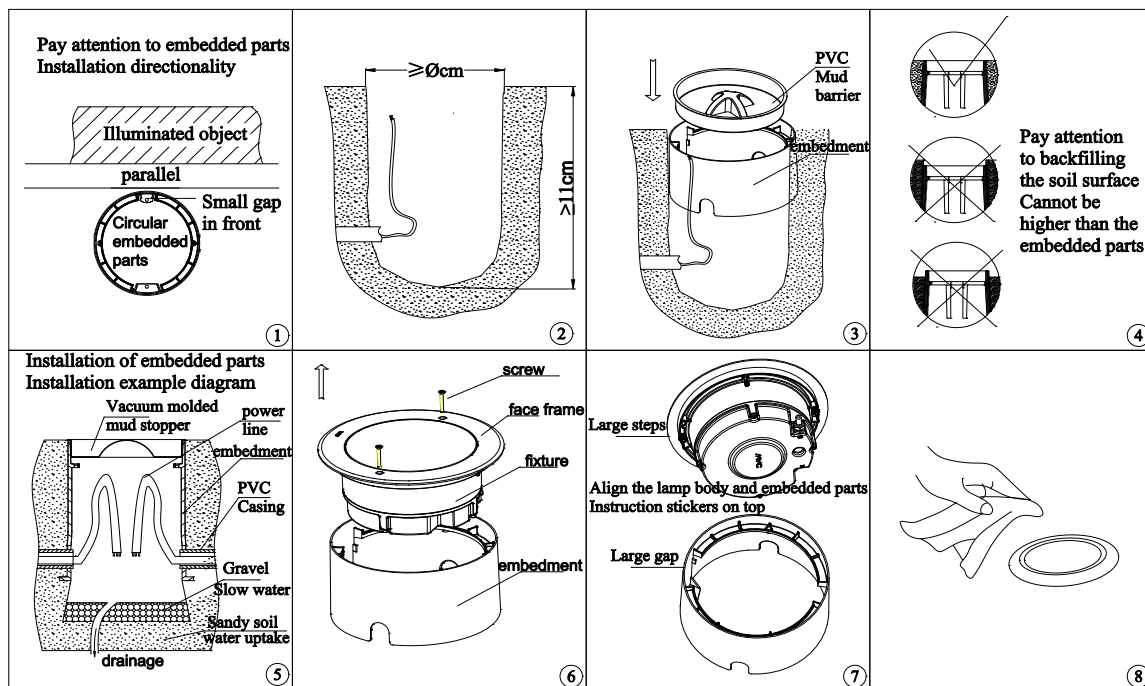
3. Connect according to the input identification of the power cord of the lamp according to Figure 1-⑤, and pay attention to the waterproof treatment at the wire connection. The backfill soil surface should not be higher than the embedded parts;

Waterproof treatment is required at the connection of the wire, and it is prohibited to connect to the mains.

4. Place the lamp into the embedded part as shown in Figure 1 -⑥, pay attention to the direction of placement, and fix the lamp with fixing screws after placement;

Attention: Align the large steps on the lamp body with the direction of the large gap on the embedded part (align the indicator stickers on the lamp body and embedded part): Figure 1-⑦;

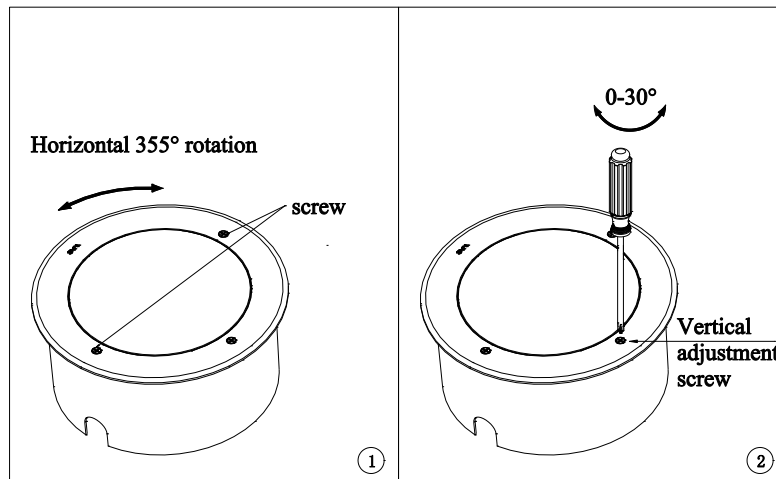
5. Clean the surface of the light outlet of the lamp according to Figure 1-⑧.



model	Embedment model	Angle adjustment lamp model	Embedment model	cutout ϕ A
EIR(5/6/7/8)NF	EIR5NF-RC001	EIR5NA/ EIR6NA	EIR5NA-RC001	ϕ 165mm
EIR(5/6/7/8)SF	EIR5SF-RC001	EIR5SA/ EIR6SA	EIR5SA-RC001	ϕ 185mm
EIR(5/6/7/8)MF	EIR5MF-RC001	EIR5MA/ EIR6MA	EIR5MA-RC001	ϕ 225mm

Chart 1

Adjustable version angle adjustment instructions:

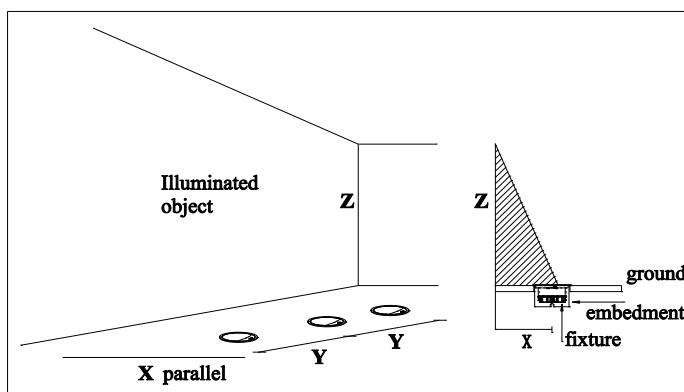


Product adjustable angle version description:

1. Horizontal angle adjustment: Place the lamp into the embedded part, rotate it horizontally to the desired angle, and then fix the screw (the angle can be adjusted horizontally by 355°).
2. Vertical angle adjustment: Use a Phillips screwdriver to rotate the adjustment screw at the position shown in Figure 2.1, and adjust the angle of the light source to the desired position

Schematic diagram of installation distance for wall washing version lighting fixtures:

Common installation parameters



Model	X Max	Y	Z
EIR7NF*	1m	$\leq X$	$\leq 3X$
EIR7SF*	1.5m	$\leq X$	$\leq 3X$
EIR7MF*	2m	$\leq X$	$\leq 3X$

Licensed by "WAC" trademark holder - WAC LIGHTING, USA

Chinese Marketing Headquarters

: WAC Lighting (Shanghai) Co, Ltd.

Address

: 14, Lane 299, Bi Sheng Road, Shanghai 201204, China

China factory

: Manufactured WAC Lighting (Dongguan) Co, Ltd.

Address

: 390, Qingfeng Road, Qingxi Town, Dngguan, Guangdong. Postal code: 523653