

MUSHROOM - MODEL: EBM104
Bollard Luminaires

WAC LIGHTING
Responsible Lighting®

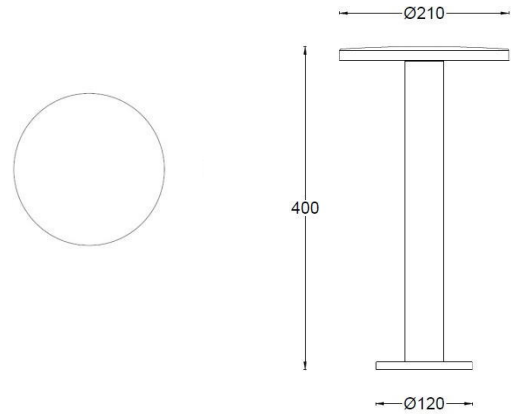
PROJECT:

LIGHT POSITION NUMBER:

Product Picture



Line Drawing



Product Description

Mushroom Bollard Luminaires is a series of high-quality lawn lights newly designed by WAC. Designed with IP65 protection grade optical module, aluminum die-cast lamp holder and stainless steel installation fixed base, the Mushroom Bollard Luminaires are exquisite and reliable, and the reinforced aluminum extruded lamp post has strong resistance to damage. Patented Micro Lattice ultra-thin optical module, high light efficiency, easy to quickly update and customize, RA85+ light, suitable for all kinds of indoor and outdoor environment lighting.

Product Features

- Body Material: Aluminum die-cast lamp holder, stainless steel mounting base and reinforced aluminum extruded lamp post;
- Optical System: MicroLattice® - Lithography system
- Finish: Static electricity powder coating
- Projection direction: Horizontal direction 0°~330°, downward light
- Accessories/Brackets: /
- Certification:
- IP Rating: IP65
- Insulation Level: Class III
- Operating Temperature: -20°C~50°C

Product Specifications

- LED Type: High Power LED
- Lamp power: 8W Max
- Lamp Flux: 527lm
- LED Type: HP LED
- LED Lifetime: >50000h-L70 /B10-Ta25°C(LM-80/TM-21)
- CRI: 85+CRI
- SDCM: 5 SDCM
- Input: 220V AC / 50Hz
- Dimming: ON-OFF
- Net Weight: 1.7Kg without packing

Order Model

Model	Powder	LEDs (quantity)	Control System	Beam direction	Module	CCT	Finish
-------	--------	--------------------	----------------	----------------	--------	-----	--------

WAC Lighting
www.waclighting.com (US)
www.waclighting.com.cn (China)

Headquarters
44 Harbor Park Drive • Port Washington, NY
Phone (516) 515.5000 • Fax (516) 515.5050

WAC Lighting(Shanghai)
14,Lane 299, Bi Sheng Road, Shanghai 201204,China
Phone (86.21) 3393.3558 • Fax (86.21) 3362.1598

WAC Lighting reserves the right to periodically design and update products. 2024-03-08

MUSHROOM - MODEL: EBM104
Bollard Luminaires

WAC LIGHTING
Responsible Lighting®

PROJECT:

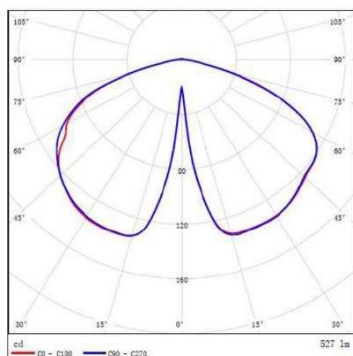
LIGHT POSITION NUMBER:

EBM104 -08	08(M ax)	21	EL ON-OFF	S Single	C Optical Module C	27 2700K	WT White BK Black BZ Bronze
			220V AC Power Supply			30 3000K	
						40 4000K	

Example: EBM104-08EL-SC30BK

Accessories

Light distribution curve@3000K data



MUSHROOM - MODEL: EBM104
Bollard Luminaires

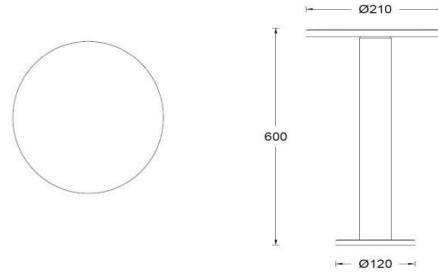
PROJECT:

LIGHT POSITION NUMBER:

Product Picture



Line Drawing



Product Description

Mushroom Bollard Luminaires is a series of high-quality lawn lights newly designed by WAC. Designed with IP65 protection grade optical module, aluminum die-cast lamp holder and stainless steel installation fixed base, the Mushroom Bollard Luminaires are exquisite and reliable, and the reinforced aluminum extruded lamp post has strong resistance to damage. Patented Micro Latic ultra-thin optical module, high light efficiency, easy to quickly update and customize, RA85+ light, suitable for all kinds of indoor and outdoor environment lighting.

Product Features

- Body Material: Aluminum die-cast lamp holder, stainless steel mounting base and reinforced aluminum extruded lamp post;
- Optical System: MicroLatic® - Lithography system
- Finish: Static electricity powder coating
- Projection direction: Horizontal direction 0°~330°, downward light
- Accessories/Brackets: /
- Certification:
- IP Rating: IP65
- Insulation Level: Class III
- Operating Temperature: -20°C~50°C

Product Specifications

- LED Type: High Power LED
- Lamp power: 8W Max
- Lamp Flux: 527lm
- LED Type: HP LED
- LED Lifetime: >50000h-L70 /B10-Ta25°C(LM-80/TM-21)
- CRI: 85+CRI
- SDCM: 5 SDCM
- Input: 220V AC / 50Hz
- Dimming: ON-OFF
- Net Weight: 1.9Kg without packing

Order Model

Model	Powder	LEDs (quantity)	Control System	Beam direction	Module	CCT	Finish

MUSHROOM - MODEL: EBM104
 Bollard Luminaires

WAC LIGHTING
 Responsible Lighting®

PROJECT:

LIGHT POSITION NUMBER:

EBM106 -08	08(M ax)	21	EL ON-OFF	S Single	C Optical Module C	27 2700K	WT White BK Black BZ Bronze
			220V AC Power Supply			30 3000K	
						41 4000K	

Example: EBM106-08EL-SC30BK

Accessories

Light distribution curve@3000K data

